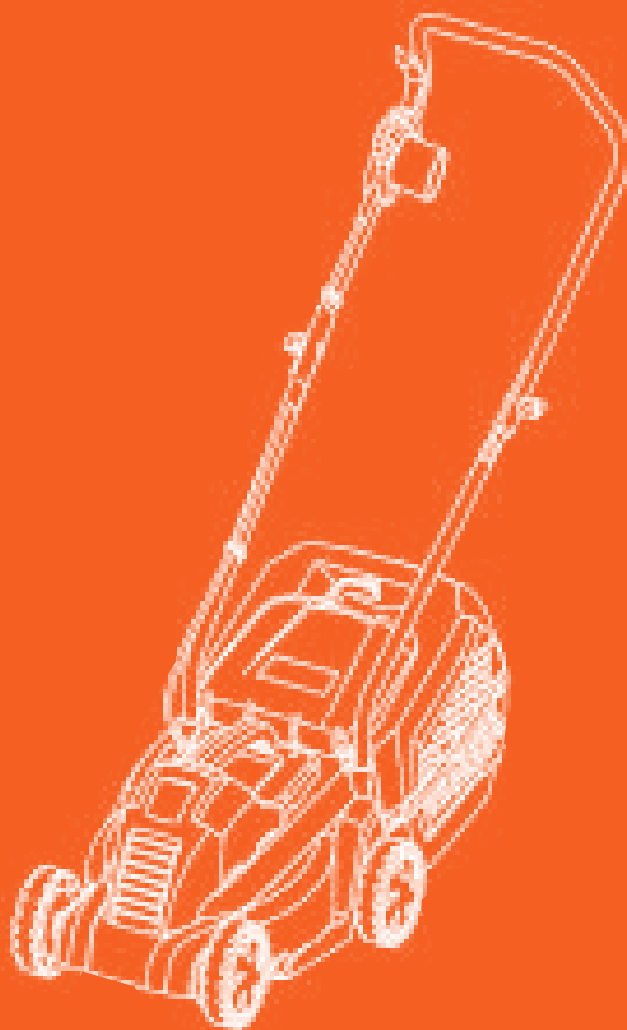




DAEWOO
POWER PRODUCTS

DLM series / серии

LAWN MOWER / КОСАЧКА ЗА ТРЕВА ЕЛЕКТРИЧЕСКА



USER'S MANUAL

ОРИГИНАЛНА ИНСТРУКЦИЯ ЗА ЕКСПЛОАТАЦИЯ

Manufactured under license of Daewoo International Corporation, Korea
Произведено по лиценз на Daewoo International Corporation, Korea

INDEX

1. SAFETY INSTRUCTIONS	3
2. ASSEMBLY INSTRUCTIONS	6
3. OPERATING	8
4. MAINTENANCE	10
5. TECHNICAL SPECIFICATIONS	10

1. SAFETY INSTRUCTIONS

GENERAL SAFETY INSTRUCTIONS

WARNING! Read all instructions failure to follow all instructions listed below may result in electric shock, fire and /or serious injury. The term “power tool” in all of the warnings listed below refers to your mains operated (corded) power tools or battery operated (cordless) power tool.

SAVE THESE INSTRUCTIONS

1) WORK AREA

- a) Keep the work area clean and well lit. Cluttered and dark areas invite accidents.
- b) Do not operate power tools in explosive atmospheres, such as in the presence of flammable liquids, gases or dust. Power tools create sparks, which may ignite the dust or fumes.
- c) Keep children and bystanders away while operating a power tool. Distractions can cause you to lose control.

2) ELECTRICAL SAFETY

- a) Power tool plugs must match the outlet. Never modify the plug in any way. Do not use any adapter plugs with earthed (grounded) power tools. Unmodified plugs and matching outlets will reduce risk of electric shock.
- b) Avoid body contact with earthed or grounded surfaces such as pipes, radiators, ranges and refrigerators. There is an increased risk of electric shock if your body is earthed or grounded.
- c) Do not expose power tools to rain or wet conditions. Water entering a power tool will increase the risk of electric shock.
- d) Do not abuse the cord. Never use the cord for carrying, pulling or unplugging the power tool. Keep the cord away from heat, oil and sharp edges or moving parts. Damaged or entangled cords increase the risk of electric shock.
- e) When operating a power tool outdoors, use an extension cord suitable for outdoor use. Use of a cord suitable for outdoor use reduces the risk of electric shock.

3) PERSONAL SAFETY

- a) Stay alert. Watch what you are doing and use common sense when operating a power tool. Do not operate tool when you are tired or under the influence of drugs, alcohol or medication. A moment of inattention while operating power tools may result in serious personal injury.
- b) Use safety equipment. Always wear eye protection. Safety equipment such as dust mask, non-skid safety shoes, hard hat, or hearing protection used for appropriate conditions will reduce personal injuries.
- c) Avoid accidental starting. Ensure the switch is in the off position before plugging in. Carrying power tools with your finger on the switch or plugging in power tools that have the switch on invites accidents.
- d) Remove any adjusting key or wrench before turning the power tool on. A wrench or a key left attached to a rotating part of the power tool may result in personal injury.
- e) Do not overreach. Keep proper footing and balance at all times. This enables better control of the power tool in unexpected situations.
- f) Dress properly. Do not wear loose clothing or jewellery; Keep your hair, clothing and gloves away from moving parts. Loose clothes, jewellery or long hair can be caught in moving parts.

4) POWER TOOL USE AND CARE

- a) Do not force the tool. Use the correct power tool for your application, The correct power tools will do the job better and safer at the rate for which it was designed.
- b) Do not use the power tool if the switch does not turn it on and off. Any power tool that cannot be controlled with the switch is dangerous and must be repaired.
- c) Disconnect the plug from the power source before making any adjustments, changing accessories, or storing power tools. Such preventive safety measures reduce the risk of starting the power tool accidentally.
- d) Store idle power tools out of the reach of children and do not allow persons unfamiliar with the

power tool or these instructions to operate the power tool. Power tools are dangerous in the hands of untrained users.

e) Maintain power tools, Check for misalignment or binding of moving parts, breakage of parts and any other condition that may affect the power tools operation. If damaged, have the power tool repaired before use. Many accidents are caused by poorly maintained power tools.

f) Keep cutting tools sharp and clean. Properly maintained cutting tools with sharp cutting edges are less likely to bind and are easier to control.

g) Use the power tool, accessories and tool bits etc., in accordance with these instructions and in the manner intended for particular type of power tool, taking into account the working conditions and the work to be performed. Use of the power tool for operations different from intended could result in a hazardous situation.

5) SERVICE

a) Have your power tool serviced by a qualified repair person using only identical replacement parts. This will ensure that the safety of the power tool is maintained.

ADDITIONAL SAFETY RULES FOR LAWN MOWER

Read the instructions carefully. Be familiar with the controls and the proper use of the appliance. Never allow children to use the appliance.

Never allow people unfamiliar with these instructions to use the appliance. Local regulations may restrict the age of the operator.

Never operate the appliance with people, especially children, or pets are nearby.

The operator or user is responsible for accidents or hazards occurring to other people or their property.

While operating the appliance, always wear substantial footwear and long trousers. Do not operate the appliance when barefoot or wearing open sandals.

Thoroughly inspect the area where the appliance is to be used and remove all stones, sticks, wires, bones, and other foreign objects.

Before using, always visually inspect to see that the rotating parts and cutter assembly are not worn or damaged. Replace worn or damaged parts in sets to preserve balance.

Operate the appliance only in daylight or in good artificial light. Avoid operating the appliance in wet grass, where feasible. Always be sure of your footing on slopes. Walk, never run. Always work across the face of slopes, never up and down.

Exercise extreme caution when reversing or pulling the appliance towards to you.

Do not operate the appliance on excessively steep slopes.

Use extreme caution when reversing or pulling appliance towards you.

Stop the rotating parts if appliance has to be tilted for transportation. Do not operate the cutting means when crossing surfaces other than grass, and when transporting the appliance to and from the working area.

Never operate the appliance with defective guards or shields, or without safety devices, for example deflectors and/or catchers in place.

Switch on the motor according to instructions and with feet well away from rotating parts.

Do not tilt appliance when switching on the motor, expect if the appliance has to be tilted for starting. In this case, do not tilt it more than absolutely necessary and lift only the part, which is away from the operator. Always ensure that both hands are in the operating position before returning the appliance to the ground. Do not put hands or feet near or under rotating parts.

Never pick up or carry an appliance while the motor is running.

Pull the plug from the socket:

- Whenever you leave the machine.
- Before clearing a blockage.
- After striking a foreign object. Inspect the appliance for damage and make repairs as necessary.
- If the appliance starts to vibrate abnormally, check immediately.

When the machine is at work in the thick bushes or runs into obstacles it can't cut down, the blade will be stalled so that the machine temperature and current will increase. When the temperature is too high or the current is too large, the overload protection device installed inside the machine will automatically shut off the power to stop the machine (main purpose is to protect motor and prolong motor life). At this moment, let go of the trigger and disconnect power supply of the machine, let the machine cool in some time (1~2 mins) and then restart switch, the machine can rework.

Symbols

The rating plate on your tool may show symbols. These represent important information about the product or instructions on its use



Waste electrical products should not be disposed of with household waste. Please recycle where facilities exist. Check with your Local Authority or retailer for recycling advice.



Denotes risk of personal injury, loss of life, or damage to the tool in case of non-ob servance



Use eye protection
Use ear protection



Conforms to all regulatory standards in the country in the EU where the products is purchased



Wear sturdy, non-slip footwear



Read the user manual



Use protective gloves



Do not expose to rain



Keep children at a distance of no less than 10m from the work area



Debris may be ejected from the discharge chute



The tines will continue to rotate for a short while after the rake has been switched off.Do not pick up or carry the rake until the tines has stopped rotating



This product is double insulated electrically



The tines will continue to rotate for a short while after the rake has been switched off. Do not pick up or carry the rake until the tines have stopped rotating



Disconnect from mains power immediately if the power cord becomes damaged.



Beware of sharp blades. Blades continue to rotate after the motor is switched off. Remove plug from mains before maintenance or if cord is damaged.

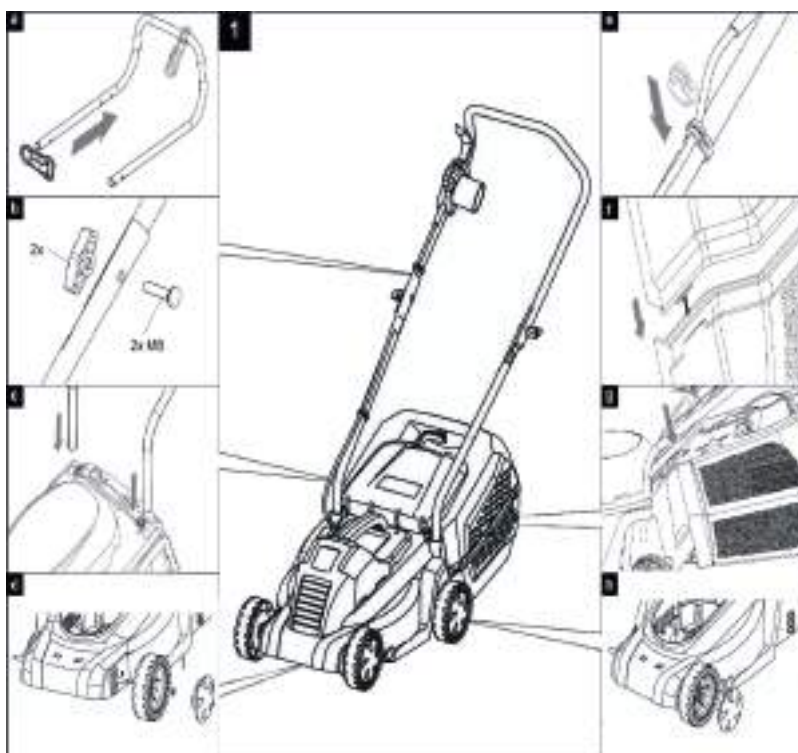


Keep supply flexible cord away from cutting mains

2. ASSEMBLY INSTRUCTIONS

Preparation:

1. Put the cable hook on upper handle. (Fig.1a)
2. Connect upper and lower handles with supplied screws and knobs. (Fig.1b)
3. Insert the handles into the mower body. (Fig.1c)
4. Fit each wheel over the axles, secure in place with the "R" pins (Fig.1d)
5. Fix the cable holders. (Fig.1e)
6. Grass collection box assembly. Assemble two halves and fix them together. (Fig.1f)
7. Lift the flap and place the grass box over the lugs. (Fig.1g)
8. Press the wheel covers into place. (Fig.1h)



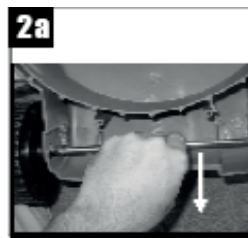
CUTTING HEIGHT ADJUSTMENT

To obtain the desired cutting height, the front and rear axles are repositioned on the underside of the mower housing.

Warning! Disconnect the mower from the power supply and ensure the blade has stopped coasting before adjusting the height.

1. To adjust the front wheel cutting height position (fig. 2a)

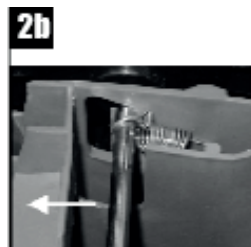
- 1) Turn the mower upside down.
- 2) Pull the wheel axle towards the front of the mower.
- 3) Locate the wheel axle into the desired cutting height adjustment position.



Note: Make sure that both front right and left wheels are located in the same cutting height adjustment position.

2. To adjust the rear wheel cutting height position (fig. 2b)

- 1) Turn the mower on its side.
- 2) Pull the rear wheel axle towards the mower's catcher flap.
- 3) Locate the wheel axle into the desired cutting height adjustment position.



Note: Make sure that both rear right and left wheel are located in the same cutting height adjustment position.

3. Cutting height positions (fig.2c)

- 1) 25mm (lowest cutting height position)
- 2) 40mm
- 3) 55mm(highest cutting height position)



3. OPERATING

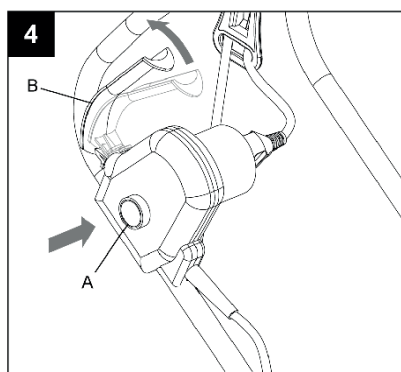
Connect to power supply

Warning! Before connecting to the mains supply, always check the switch is in off position. Connect the plug into the RCD protected power supply.

Starting

On/Off switch fig.3)

Caution! Do not start the mower if it is standing in long grass. Press the safety button (A) of the switch assembly and then pull the switch lever (B) against the bar. Keep the switch lever held whilst releasing the safety button. To stop the mower release the switch lever and it automatically returns to its off position.

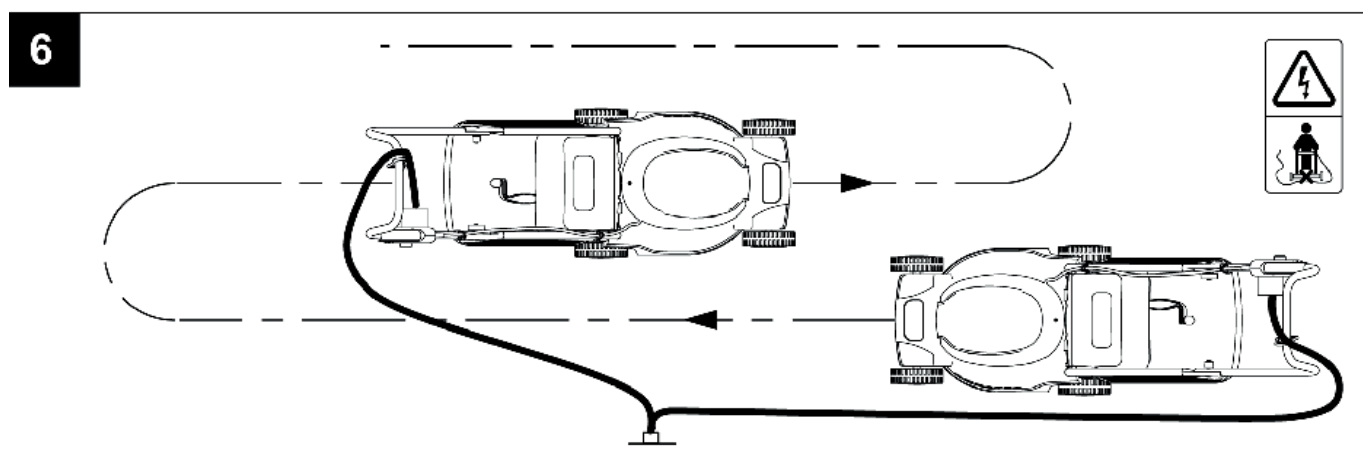


Mowing (fig.4)

We recommend to use your mower as outlined in this section in order to achieve optimum results and to reduce the risk of cutting the mains cable.

- Place the bulk of the mains cable on the close to the starting point.
- Switch the mower on as described above.
- Proceed as shown in fig.4
- Move from position 1 to position 2
- Turn right and proceed towards position 3
- Turn left and move towards position 4
- Repeat the above procedures as required.

Warning! Do not work towards the cable.



Blade maintenance(fig.5)

- Regularly remove grass and dirt from the blade.
- At the beginning of the gardening season, carefully examine the condition of the blade.
- If the blade is very blunt, sharpen or replace the blade.
- If the blade is damaged or worn, fit a new blade.

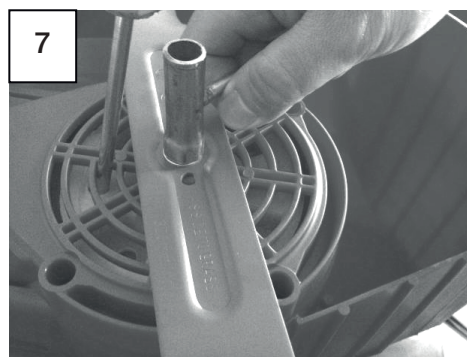
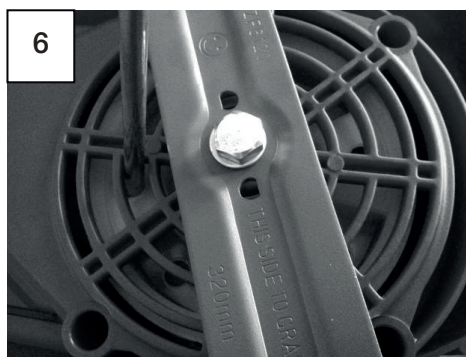
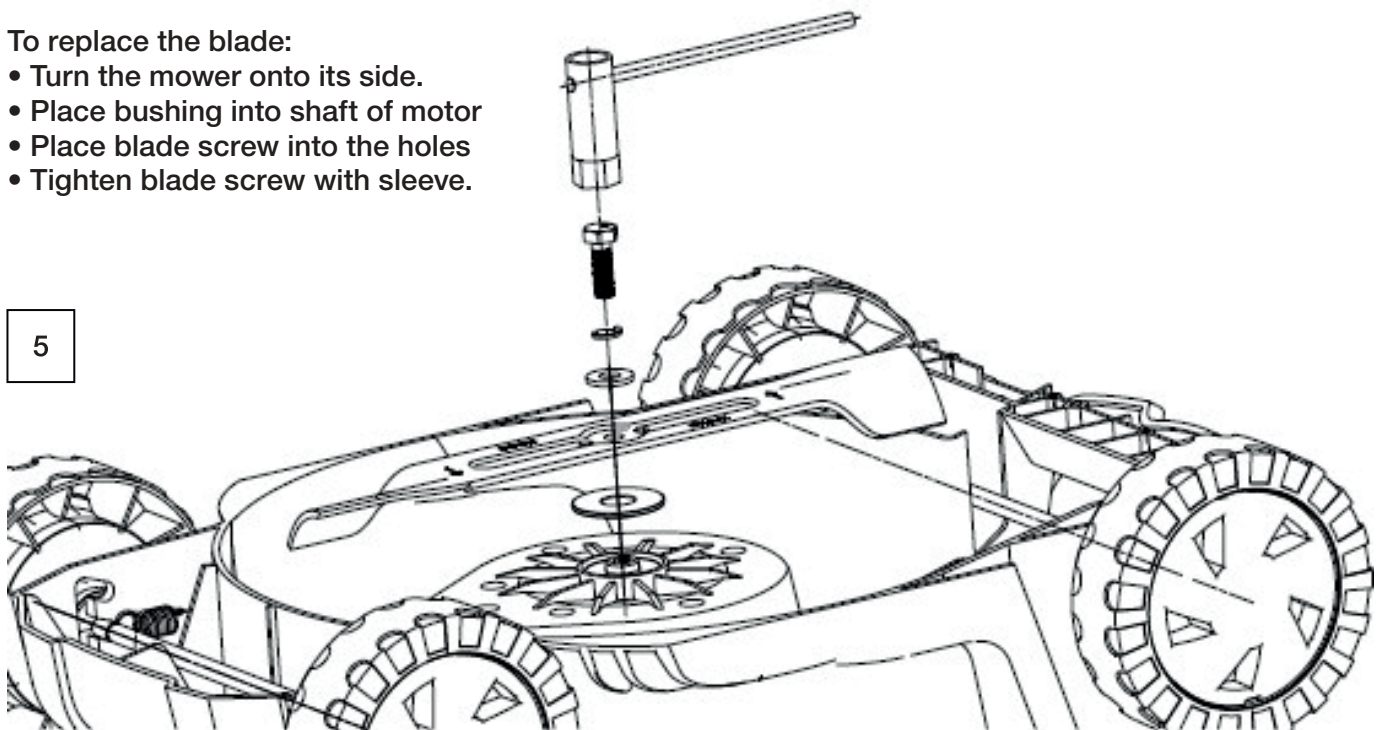
If the blade is slipping, put the screwdriver into the location hole, tighten the blade by wrench. see fig.6 and fig.7

Warning! Observe the following precautions:

- Disconnect the mower from the mains and wait until the blade has stopped rotating before proceeding.
- Be careful not to cut yourself. Use heavy-duty gloves or a cloth to grip the blade.
- Only use the specified replacement blade.
- Do not remove the impeller (A) for any reason.

To replace the blade:

- Turn the mower onto its side.
- Place bushing into shaft of motor
- Place blade screw into the holes
- Tighten blade screw with sleeve.



4. MAINTENANCE

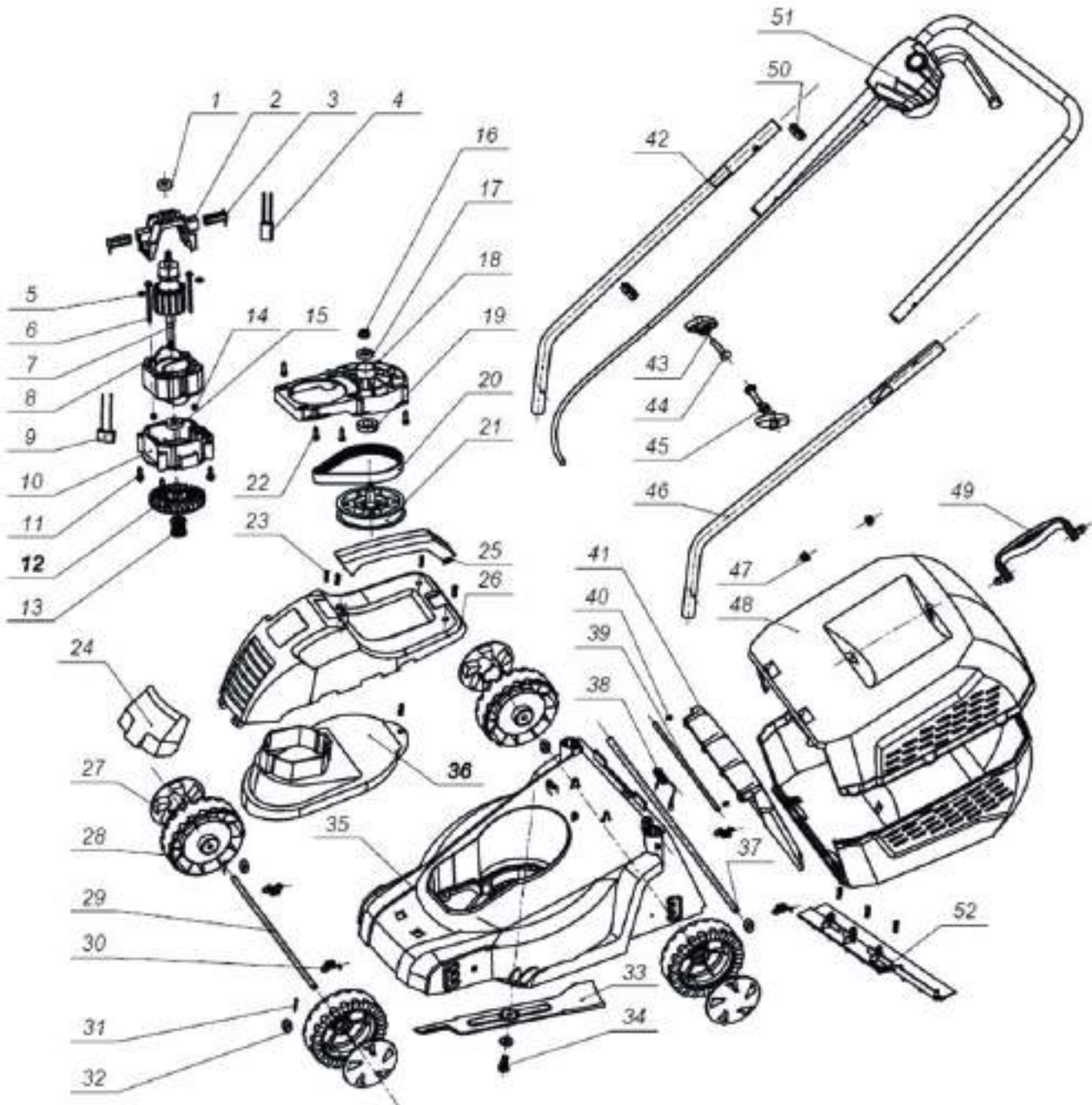
1. Keep all nuts, bolts and screws tight to be sure the lawn mower is in a safe working condition.
2. Check the catcher frequently for wear or deterioration.
3. Replace worn or damaged parts for safety.
4. Only use the replacement blade, blade bolt and impeller specified for this product.
5. Be careful during adjustments of the lawn mower to prevent entrapment of the fingers between moving blade and fixed parts of the machine.
6. Oil the wheel pins.
7. Store the lawn mower in a dry place.

5. TECHNICAL SPECIFICATIONS

DLM1400E	
Voltage: 230-240V~ 50Hz Power rating: 1200 W No load speed: 3450RPM Cutting height: 25/40/55mm Max cutting width: 320mm This tool is double insulated. There are two independent barriers of insulation to protect you from the possibility of electric shock	Sound pressure level: LpA:84.5dB(A) KpA=3dB Sound power level: LwA:93.3dB(A) KwA=2.43dB Vibrations emission value: a h,ID =1.632m/s ² K ID : 1,5 m/s ²

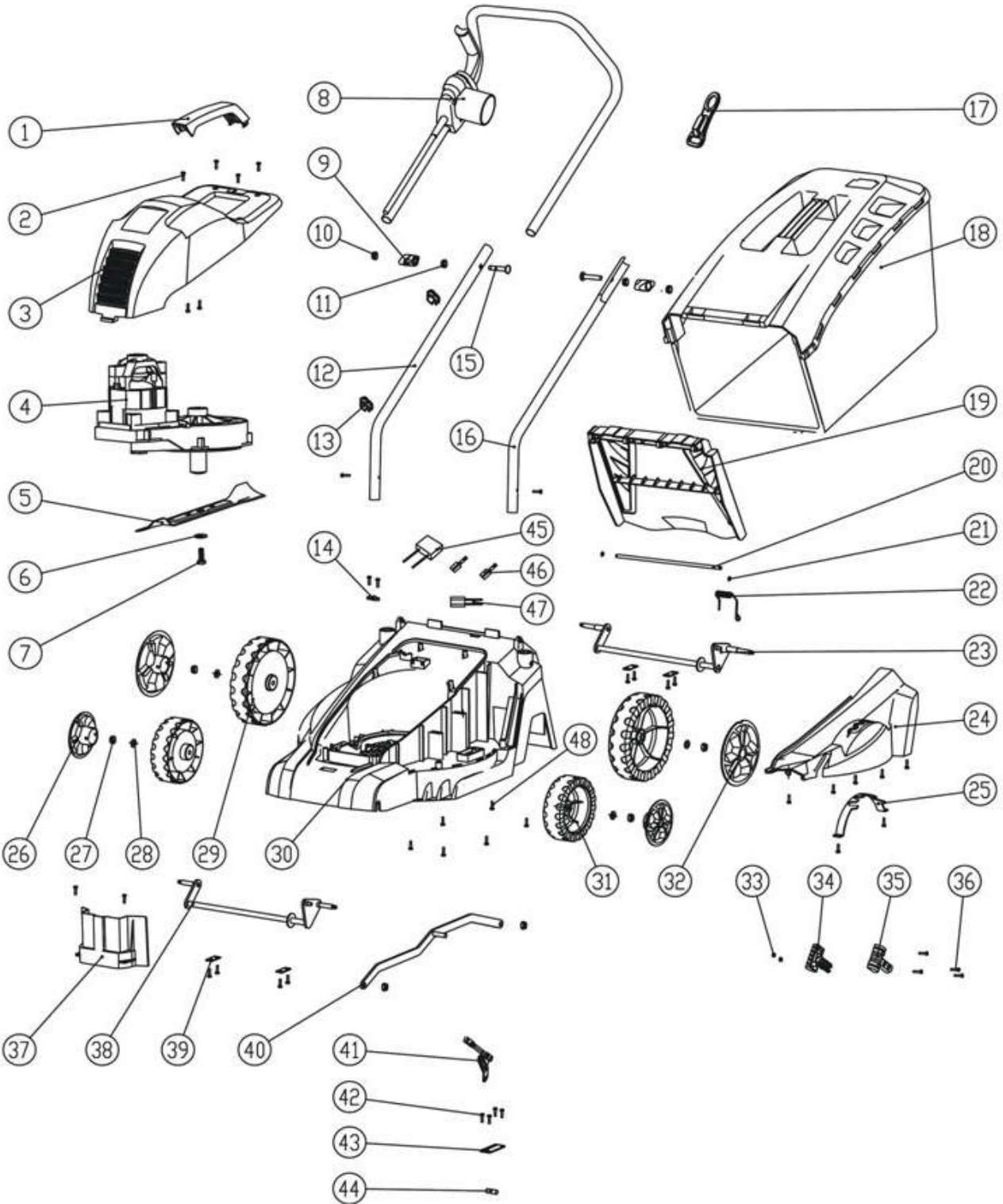
DLM1700E	
Rated Power: 230V~240V-50Hz, 1500 W Cutting width: 360 mm Central adjustment: 5 height positions with 20-70mm No-load speed: 3500rpm Collection bag: 50L fibric Motor type: Brush motor Wheels: front5" / rear7" G.W./N.W.: 11.8/11.4 kgs	Sound pressure level: LpA:81.4dB(A) KpA=2.5dB Sound power level: LwA:96dB(A) Vibrations emission level: a h,ID =1.977m/s ² K ID : 1,5 m/s ²

EN



EN

DLM1400E							
N°	Material N°	Description	QTY	N°	Material N°	Description	QTY
1	8B-608-2Z	bearing	1	27	8020-612202	wheel cover	4
2	8301-611902	motor rear holder	1	28	8121-612201	wheel	4
3	8440-611901	carbon brush group	2	29	8081-612002	front wheel axle	1
4	8424-612002	overload protector	1	30	8351-612201	wheel axle tension spring	4
5	8WA-04D	flat washer	2	31	8PA02-16D	split pin	4
6	8SABD04-65D	screw	2	32	8WA-08D	flat washer	5
7	8402-612001	rotor	1	33	8231-612002	blade	1
8	8405-612001	stator	1	34	8206-612001	blade screw bolt	1
9	8416-612001	capacitor	1	35	8006-611901	housing	1
10	8292-611901	motor front holder	1	36	8024-612001	wind cover	1
11	8SABA42-16B	screw	4	37	8081-612003	back wheel axle	1
12	8403-611901	rotor fan	1	38	8353-612201	back cover spring	1
13	8122-611901	small belt wheel	1	39	8081-612203	back cover axle	1
14	8NG-04D	NUT	2	40	8CE-05B	E-check ring	1
15	8B-6000-2Z	bearing	1	41	8022-612001	back cover	1
16	8NG-08D	NUT	1	42	8001-612003	right down handle	1
17	8B-609-2Z	bearing	1	43	8313-612201	knob	2
18	8187-611901	fixed plate	1	44	8SBKD08-40D	bolt	2
19	8B-6002-2Z	bearing	1	45	8NA-08D	nut	2
20	8345-612001	belt	1	46	8001-612002	left down handle	1
21	8122-611902	big belt wheel	1	47	8020-612203	box cap	2
22	8SABA52-16B	screw	6	48	8020-612201	box cover	2
23	8SABA42-16B	screw	18	49	8001-612204	box handle	1
24	8SABA52-16B	weight block	1	50	8238-612201	cable clamp	2
25	8001-612005	upper cover handle	1	51	8440-612001	switch box group	1
26	8023-612001	upper cover handle	1	52	8187-612002	extension plate	1



EN

Part N°	Material N°	Part Name	Material	QTY
1	8001-612005	upper cover handle	PP	1
2	8SABA42-16B	screw	ST4.2x16	4
3	8023-613501	upper cover	PP	1
4	8440-613509	motor 1500w		1
	8440-613510	motor 1700w		1
5	8231-613501	blade	45#	1
6	8202-613501	washer	65Mn	1
7	8206-612001	blade screw bolt	45#	1
8	8440-613505	switch box group		1
9	8313-612201	knob	ABS	2
10	8NA-08D	screw		2
11	8341-612201	tube pad	PP	2
12	8001-612003	right down handle		1
13	8238-612201	cable clamp	PP	2
14	8184-612201	cable press board	PA6+30GF	1
15	8SBKD08-40D	slot		2
16	8001-612002	left down handle		1
17	8088-612201	Cable Hook	PP	1
18	8440-613506	collection bag component		1
19	8004-810101	back cover	Q235	1
20	8081-613503	back cover axle	Q235	1
21	BCE-05B	E-check ring		2
22	8353-612201	back cover spring	62Mn	1
23	8440-613502	back wheel axle component		1
24	8024-613502	Side Cover	PP	1
25	8181-613501	gear plate	Q235	1
26	8020-612202	front wheel cover	PP	2
27	8NB-06B	screw		6
28	8WF-06B	flat washer		4
29	8121-613501	rear wheel	PP	2
30	8006-613502	housing	PP	1
31	8121-612201	front wheel	PP	2
32	8020-61301	rear wheel cover	PP	2
33	8NB-05B	screw		2
34	8002-612302	Upperr Handle Cover	ABS	1
35	8001-612302	Lower Handle Cover	ABS	1
36	BSABD05-18B	screw		2
37	8181-613501	baffle	PP	1
38	8440-613501	front wheel axle component		1
39	8186-612302	wheel axle press plate	Q235	4
40	8045-613502	height adjustment connecting rod	Q235	1
41	8440-613503	height adjustment handle component		1
42	8SABA42-14B	screw	ST4.2x14	27
43	8186-613502	height adjustment press plate	Q235	1
44	8081-613506	“Pin uranium“	45#	1
45	8416-613501	capacity		1
46	632-01	6.3 female contact		3
47	8424-612001	overload protector		1
48	8SRBA52-16B	screw	ST5.2X16	6

Съдържание

Инструкции за безопасност	16
Инструкции за сглобяване	19
Инструкции за работа	21
Поддръжка	23
Технически данни	23
ЕС декларация за съответствие	24
Схема и списък на резервните части	25
Гаранционна карта	29

1. ИНСТРУКЦИИ ЗА БЕЗОПАСНОСТ



ВНИМАНИЕ! За да избегнете риска от нараняване, трябва да прочетете инструкциите за експлоатация.

Внимателно прочетете инструкциите за безопасност. Обърнете внимание на символите и тяхното значение. Не променяйте и не пропускайте последователността в инструкцията за експлоатация. Не оставяйте без внимание нито една от стъпките в инструкцията.

Обърнете специално внимание на специфичните съвети за безопасност в началото на инструкцията за експлоатация. Те са маркирани със знаците Внимание! или Опасност!

ВНИМАНИЕ! Прочетете всички инструкции за безопасност. Неспазването им може да доведе до токов удар, пожар и/или сериозни наранявания. Запазете всички предупреждения и инструкции за бъдеща употреба.

Терминът „електроинструмент“ в предупрежденията се отнася за вашата машина, която може да работи на ток или на батерии /акумулаторна/.

1. Пазете работната зона чиста

- Претрупаните работни места и маси създават предпоставки за инциденти и наранявания.
- Отчитайте условията за работа на околната среда. Не използвайте електроинструменти в среда, в която има условия за пожар или експлозия. Електроинструментите създават искри, които могат да възпламенят леснозапалими или прахообразни материали.
- Пазете деца и наблюдатели в страни от работната зона. Разсейването може да предизвика загуба на контрол.

2. Електрическа безопасност

- Захранването от токоизточника трябва да отговаря на захранването на машината. Никога не правете промени по щепселите. Не използвайте адаптери със заземени електроинструменти. Немодифицираните устройства ще намалят риска от токов удар.
- Избягвайте контакт на тялото си със заземени повърхности /тръби, радиатори, хладилници и фризери/.
- Не излагайте електроинструментите на дъжд. Не използвайте електроинструменти във влажна и мокра среда. Пазете работната зона добре подсушена. Вода, попаднала в машината увеличава риска от токов удар.
- Не нарушавайте целостта на захранващия кабел. Никога не пренасяйте машината, като я дърпате за захранващия кабел. Пазете кабела далече от топлина, масла, остри предмети и движещите се части на машината. Повредата или заплитането на захранващия кабел увеличава риска от токов удар.
- Когато използвате машината навън, използвайте удължители, пригодени за работа навън. Използването на подходящ удължител намалява риска от токов удар.

3. Лична безопасност.

- Бъдете нащрек. Бъдете внимателни по време на работа и не използвайте машината, ако сте уморени или под влиянието на наркотици, алкохол и лекарства. Момент на невнимание, докато работите с електроинструмента може да доведе до сериозни персонални наранявания.
- Използвайте предпазно оборудване. Винаги носете защитни очила. Маски срещу прах, нехлъзгави обувки, каска или антифони, използвани при подходящите условия, ще намалят риска от персонално нараняване.
- Избягвайте инцидентно включване. Не пренасяте електроинструмента включен, не дръжте пръстите си на пусковия бутон докато пренасяте машината. Уверете се, че пусковият бутон е изключен, преди да включите машината в токоизточника.
- Изградете си навик преди включване на машината, да проверявате дали затягащият ключ на патронника е махнат от нея. Забравен затягащ инструмент върху движещите се части на машината могат да предизвикат персонални наранявания.

- Пазете стабилна стойка и баланс през цялото време. Това ви позволява по-добър контрол върху машината в неочаквани ситуации.
 - Обличайте се подходящо. Не носете широки дрехи и бижута при работа. Те могат да бъдат захванати от движещите се части на машината.
 - Не позволявайте на външни посетители да работят с електроинструмента или да имат контакт с кабела му. Всички лица, които не са свързани с работата, трябва да бъдат на безопасно разстояние от работната зона.
 - Ако към машината се доставят допълнителни устройства като прахоуловител или колектори, уверете се, че са свързани правилно и използвани по предназначение. Употребата на тези устройства ще намали рисковете, свързани с натрупването на прах.
4. Употреба и поддръжка на електроинструмента.
- Не претоварвайте електроинструмента. Той ще работи по-добре и безопасно, ако не прилагате твърде много сила и го ползвате в обхвата на мощността му, указана на информационната табела.
 - Не използвайте машина, на която пусковият ключ не работи правилно. Всеки електроинструмент, който не може да бъде контролиран с пусков ключ е опасен и трябва да се поправи.
 - Изключвайте машината от токоизточника преди да правите каквито и да е настройки, подмяна на аксесоарите или да приберете машината за съхранение. Тази превантивна мярка за безопасност редуцира риска от инцидентен старт.
 - Когато не използвате електроинструмента, той трябва да се съхранява на сухо, високо или заключено място, далеч от обсега на деца или неоторизирани потребители. Електроинструментите могат да бъдат опасни, когато са в ръцете на необучени потребители.
 - Поддържайте електроинструмента. Проверявайте за драскотини, повреди или износени части, които могат да се отразят на работата на машината. Ако има повредени части, подменете ги при квалифициран специалист. Голяма част от инцидентите стават поради лоша поддръжка на машината.
 - Пазете режещите части на консумативите чисти и наточени. Правилната им поддръжка намалява риска от засядане и прави машината по-лесна за контролиране.
 - Употребата на всякакви аксесоари и приспособления, различни от препоръчаните от производителя, могат да доведат до риск от персонални наранявания. Използването на машината не по предназначение може да доведе до опасни ситуации.
5. Сервиз.
- Поправяйте машината си при квалифицирани специалисти. Това ще ви гарантира безопасността при работа.

Допълнителни инструкции за безопасност при работа с електрически косачки за трева

Прочетете внимателно всички инструкции. Запознайте се с контрола и правилната експлоатация на машината. Никога не позволявайте на деца да използват косачката. Никога не позволявайте на лица, незапознати с машината, да я използват. Местните разпоредби за възрастови ограничения при работа с електрически машини трябва да бъдат спазвани. Не работете с машината, ако в близост има деца, странични наблюдатели или домашни любимци. Работещият с машината е отговорен за възникнали наранявания, инциденти или материални щети по време на работа. Докато работите с машината винаги носете подходящи обувки и дълги панталони. Не работете боси или със сандали. Внимателно преглеждайте зоната, в която ще работите и разчистете предварително всички камъни, клечки, кабели, или други предмети. Преди да започнете работа винаги проверявайте дали движещите се части и режещата система не са износени или повредени. Подменете износените или повредени части.

Работете само на дневна светлина или при добро изкуствено осветление. Избягвайте да работите върху мокра трева, когато е осъществимо. Винаги подсигуривайте стабилната си стойка, ако работите върху склонове. Вървете, никога не тичайте. Изключително внимавайте, когато обръщате или изтегляте машината срещу себе си. Не работете с косачката върху изключително стръмни склонове. Изчакайте да спрат движещите се части на машината, преди да я качите за транспортиране или пренасяте до и от работната зона.

Никога не използвайте машина с повредени предпазители и щитове, или без предпазни устройства, например – дефлектори и/или хващачи.

Включвайте машината в съответствие с инструкциите и се пазете далеч от движещите се части. Не наклоняйте машината, когато двигателят е включен, освен ако не е необходимо да я наклоните, за да включите. В този случай, наклоняйте само, колкото е абсолютно необходимо и повдигайте само частта, която е далеч от работещия. Уверявайте се, че и двете ви ръце са в безопасна и удобна за работа позиция преди да поставите машината на земята. Не слагайте ръце и крака под или в близост до движещите се части.

Никога не повдигайте или пренасяйте машината с включен двигател.

Изключвайте от електрическата мрежа:

- Когато оставяте машината без надзор
- Преди да почистите засядане
- Ако машината е срещнала препятствие. Проверете дали няма повреди и поправете, ако е необходимо.
- Ако усетите силни вибрации. Това налага незабавна проверка.

Когато машината работи около дебели храсти или върви върху препятствия, които не могат да бъдат отрязани, ножовете ще забуксуват и температурата и напрежението на машината ще се увеличат. Когато температурата е твърде висока или напрежението е много голямо, ще се включи защитата срещу прегряване, инсталирана в машината и захранването автоматично ще спре (основната цел е да се предпази електродвигателя и да се удължи живота му). Ако това се случи, отпуснете спусъка и изключете от захранването, позволете на машината да се охлади за 1-2 минути и тогава рестартирайте.

Символи



Електрическото оборудване не трябва да се изхвърля при битовите отпадъци. Моля, рециклирайте, където това е осъществимо. Проверете при местните власти или вашият търговец за съвет къде да предадете за рециклиране излязлото от употреба оборудване.



Риск от пресонално нараняване, опасност за живота или повреда на инструмента в случай на неспазване на предписанията.



Носете защитни очила.
Носете антифони.



Отговаря на предписанията и европейските стандарти в страната-членка, в която оборудването е закупено.



Носете работни, непързалиящи се обувки.



Прочетете внимателно инструкциите за употреба.



Използвайте работни/предпазни ръкавици.



Не излагайте машината на дъжд.

Пазете децата на разстояние не по-малко от 10 метра от работната зона.

Могат да изхвърчат остатъци и отломки при рязането.



Ножовете ще продължат да се въртят за кратко време, след като изключите машината. Не пренасяйте или повдигайте машината преди движещите се части да са напълно спрели.



Машината е двойно изолирана.

Ножовете ще продължат да се въртят за кратко време, след като изключите машината. Не пренасяйте или повдигайте машината преди движещите се части да са напълно спрели.



Изключвайте от захранването, незабавно, ако забележите повреда по захранващия кабел.



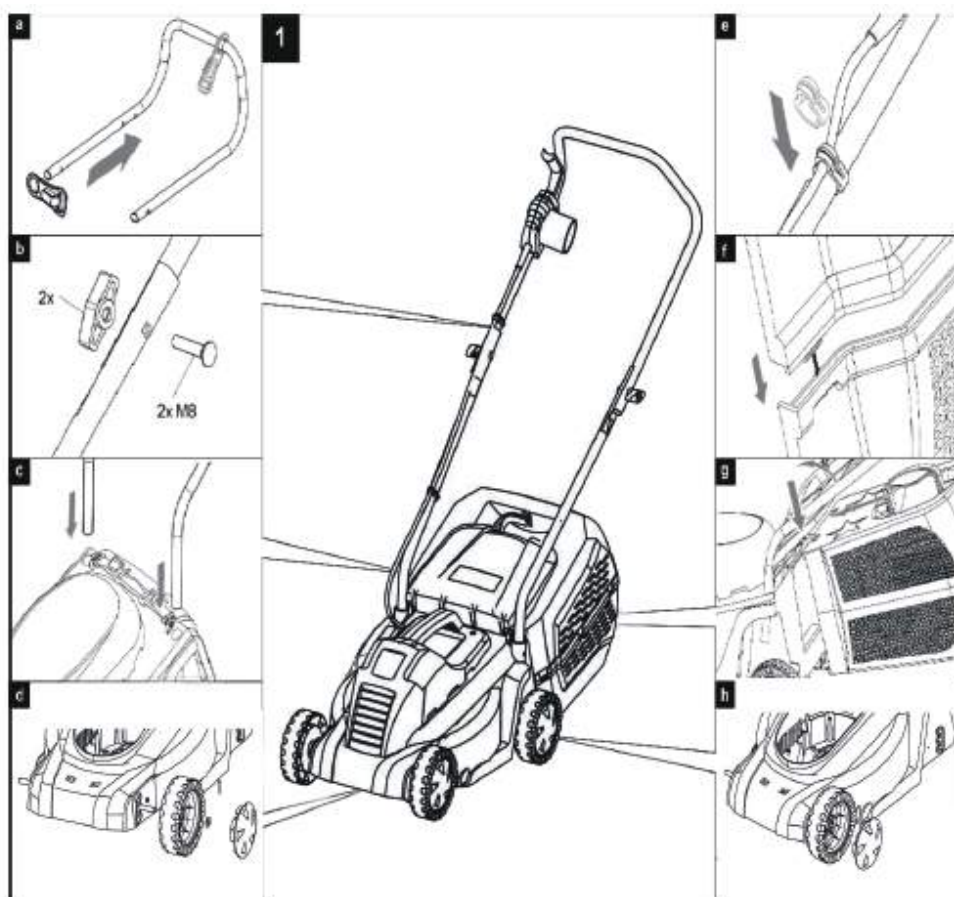
Пазете се от остриите ножове. Ножовете продължават да се въртят след изключването на двигателя. Изключете от контакта, когато ще правите инспекция или има повреда в кабела.

Пазете захранващия кабел далеч от остриите части на машината.

2. ИНСТРУКЦИИ ЗА СГЛОБЯВАНЕ

Подготовка:

1. Поставете куката за кабела на горната ръкохватка (фиг. 1a)
2. Свържете горната с долната ръкохватка с доставените болтове и гайки (фиг. 1b)
3. Поставете ръкохватките в отворите на косачката (фиг. 1c)
4. Фиксирайте всяко колело върху осите, подсигурете на място с щифтовете "R" (фиг. 1d)
5. Фиксирайте държачите на кабела (фиг. 1e)
6. Сглобяване на коша за събиране на трева. Съберете двете половини и ги фиксирайте заедно (фиг. 1f).
7. Повдигнете капака и поставете коша за трева като го напаснете в улеите (фиг. 1g).
8. Поставете капачките на колелата на мястото им. (фиг. 1h).



НАСТРОЙВАНЕ НА ВИСОЧИНАТА НА РЯЗАНЕ

За настройване на желаната височина на рязане, предната и задната оси са позиционирани под корпуса на косачката.

Внимание! Изключете косачката от електрозахранването и се уверете, че ножовете са спрели въртенето си постоянно, преди да настройвате височината.

За да настроите височината на рязане на предните колела (фиг. 2a)

- Обърнете косачката с колелата нагоре
- Издърпайте оста на колелото пред косачката.
- Позиционирайте оста желаната позиция.

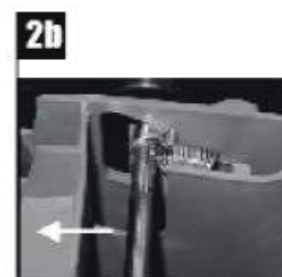
Забележка: уверете се, че и двете предни колела (ляво и дясно) са позиционирани на една и съща позиция за височина на рязане.



За да настроите височината на рязане на задните колела (фиг. 2b)

- Обърнете косачката странично.
- Издърпайте оста в посока към колектора на косачката.
- Позиционирайте оста в желаната позиция за височина на рязане.

Забележка: уверете се, че и двете задни колела (ляво и дясно) са позиционирани на една и съща позиция за височина на рязане.



Позиции за височина на рязане (в зависимост от модела)(фиг. 2с)

- 20mm (най-ниската височина на рязане)
- 25mm
- 40mm
- 55mm
- 70mm (най-голямата височина на рязане)



Моля погледнете в края на инструкцията, за да уточните позициите за височина на рязане в зависимост от модела на Вашата електрическа косачка.

3. ИНСТРУКЦИИ ЗА РАБОТА

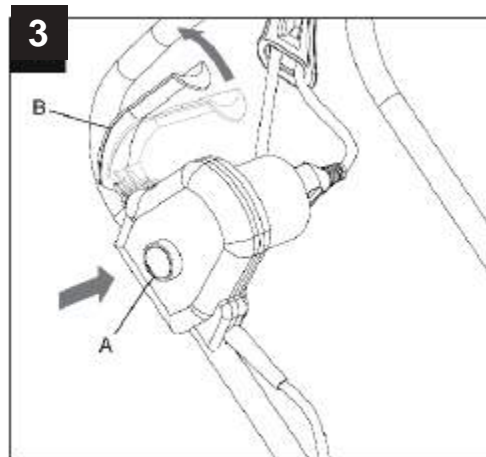
Свързване в електрическата мрежа

Внимание! Преди да включите машината в електрическата мрежа, винаги проверявайте дали старт/стоп бутона е изключен.

Стартиране

Старт/стоп бутон (фиг. 3)

Внимание! Не стартирайте косачката, ако е поставена във висока трева. Натиснете предпазния бутон (А) и тогава дръпнете лоста за включване (В) към ръкохватката. Докато държите лоста притиснат, освободете предпазния бутон. За да спрете косачката, освободете лоста за включване и той автоматично ще се върне в изключена позиция.

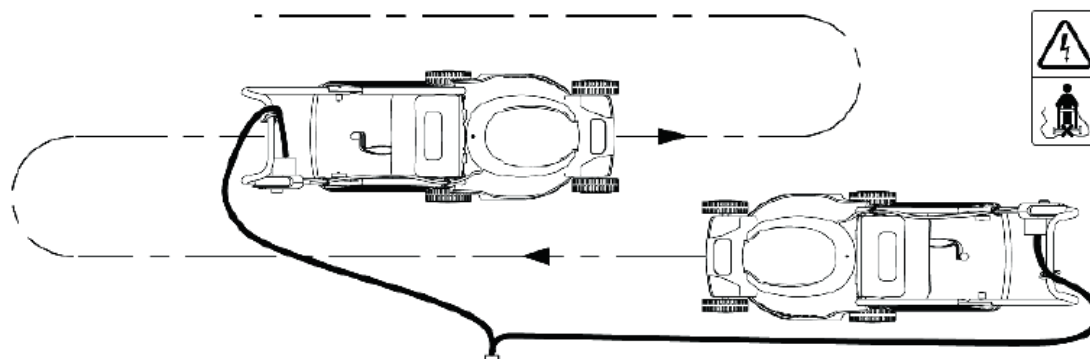


Косене (фиг. 4)

Препоръчваме ви да използвате своята косачка по начина, описан в тази секция, за да постигнете оптимални резултати и да намалите риска от срязване на захранващия кабел.

- Поставете по-голямата част от захранващия кабел в близост до отправната точка.
- Включете косачката по начина, описан по-горе.
- Продължете, както е показано на фиг. 4.
- Движете се от позиция 1 към позиция 2.
- Завъртете надясно и продължете към позиция 3.
- Завийте наляво и продължете към позиция 4.
- Повторете процедурите по-горе, както е описано.

Внимание! Не работете през захранващия кабел.

4


Поддръжка на ножа (фиг.5)

- Редовно премахвайте тревата и боклуците, полепнали по острието.
- В началото на градинския сезон внимателно инспектирайте състоянието на ножа.
- Ако е много затъпен, наточете или подменете.
- Ако ножът е повреден или износен, поставете нов.

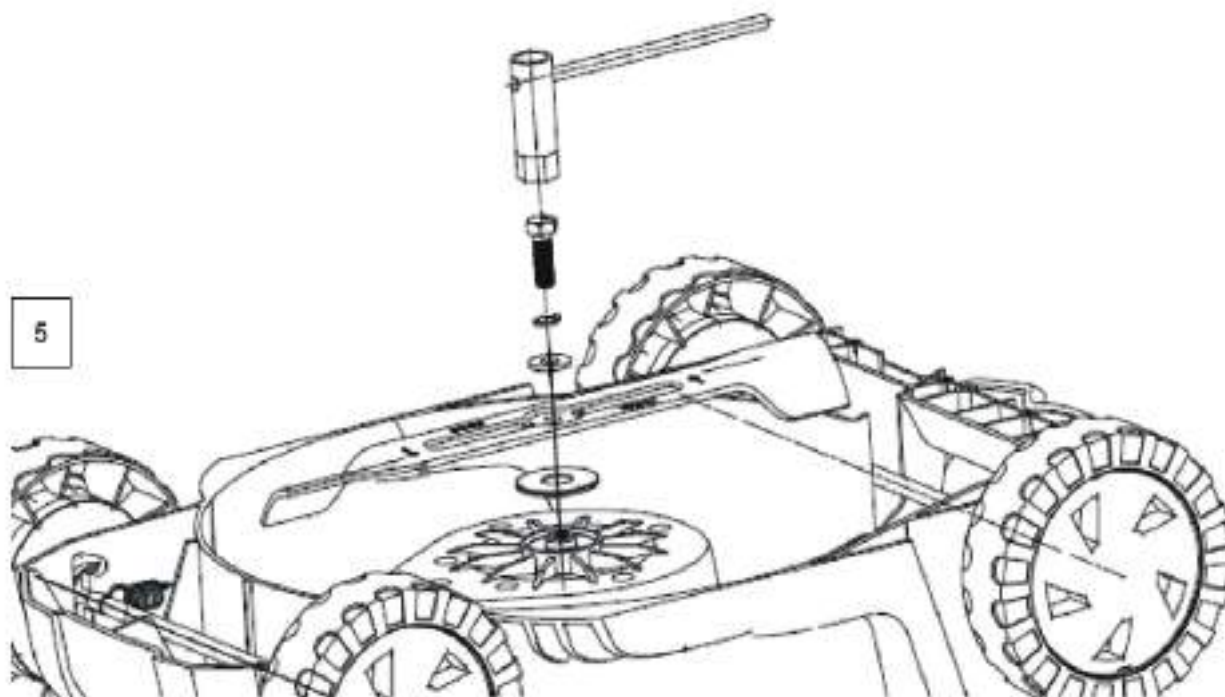
Ако ножът превърта, поставете отвертка в отвора, затегнете ножа с ключ (вижте фиг. 6 и 7).

Внимание! когато проверявате ножа, спазвайте следните предпазни мерки:

- Изключвайте косачката от захранването и изчакайте, докато ножът спре напълно да се върти, преди да продължите.
- Внимавайте да не се срежете. Използвайте усилен предпазни ръкавици или кърпа, за да захванете ножа.
- Използвайте само ножове, подходящи за подмяна.
- Не демонтирайте капака на електродвигателя и намиращата се под него охлаждаща перка по никаква причина.

За да подмените ножа:

- Поставете косачката странично.
- Поставете шайбата /втулката/.
- Поставете ножа и след това болта за затягане на ножа в отвора.
- Затегнете болта.

5




4. ПОДДРЪЖКА

- Пазете всички винтове, болтове и гайки затегнати и се уверете, че косачката е в безопасно състояние за работа.
- Подменяйте износени или повредени части.
- Използвайте само ножове, болтове и части проектирани за този продукт.
- Внимавайте по време на настройките на косачката, за да избегнете попадане на пръстите в движещите се или фиксирани части на машината.
- Съхранявайте косачката на сухо и проветриво място.

5. ТЕХНИЧЕСКИ СПЕЦИФИКАЦИИ

DLM1400E	
<p>Напрежение 230V~50Hz Мощност: 1200W Обороти на празен ход: 3450 rpm Регулиране на височината на рязане: 25/40/55mm Максимална ширина на косене: 320mm Колектор вместимост: 35 l фабричен Тип двигател: с четки G.W./N.W.: 9/8 kg Колела: 5"</p> <p>Тази машина е двойно изолирана. Има два независими пласта изолация, за да предотвратят евентуалния токов удар.</p>	<p>Равнище на звуково налягане: LpA:84.5dB(A) KpA=3dB Мощност на звука: LwA:93.3dB(A) KwA=2.43dB Ниво на генерирани вибрации: a h, ID =1.632m/s² K ID : 1,5 m/s²</p>

DLM1700E	
Напрежение 230V~50Hz Мощност: 1500W Обороти на празен ход: 3500 rpm Регулиране на височаната на рязане 5 степенно: 20-70 mm Максимална ширина на косене: 360mm Колектор вместимост: 50 l фабричен Тип двигател: с четки G.W./N.W.: 12,1/11,1 kg Колела: предни 5"/ задни 7" Тази машина е двойно изолирана. Има два независими пласта изолация, за да предотвратят евентуалния токов удар.	Равнище на звуково налягане: LpA:81.4dB(A) KpA=2.5dB Мощност на звука: LwA:96dB(A) Ниво на генерирани вибрации: a h, ID =1.977m/s ² K ID : 1,5 m/s ²

6. ДЕКЛАРАЦИЯ ЗА СЪОТВЕТСТВИЕ

CE DECLARATION OF CONFORMITY/ ЕС ДЕКЛАРАЦИЯ ЗА СЪОТВЕТСТВИЕ (EN) LAWN Mower 1200, 1500 W

MODELS: DLM1400E (ZF617C), DLM1700E (ZF6136A)

We GBR Corp. LTD, Room 1002, 10/F., David House,, 8-20 Nanking Street, Jordan, Kowloon, Hong Kong, China, declare under our sole responsibility that this product is in conformity and accordance with the following standards and regulations. The undersigned is responsible for the compilation of technical documentation.

(BG) ЕС Декларация за съответствие – Косачка за трева, електрическа 1200, 1500 W

МОДЕЛИ: DLM1400E (ZF617C), DLM1700E (ZF6136A)

Ние, GBR Corp. LTD, Room 1002, 10/F., David House,, 8-20 Nanking Street, Jordan, Kowloon, Hong Kong, China, декларираме на собствена отговорност, че този продукт е в съответствие с изброените по-долу стандарти и разпоредби. Долуподписаният е отговорен за съставянето на техническа документация.

- EN55014-1:2006+A1+A2
- EN55014-2:1997+A1+A2
- EN55014-1/A2:2011
- EN55014-2/A2:2008
- EN61000-3-2/A2:2009
- EN61000-3-3:2013
- EM60335-1:2012/A11:2014
- EN60335-2-77:2010

- 2006/42/EC – MACHINERY
- 2014/30EC – ELECTROMAGNETIC COMPATIBILITY
- 2000/14/EC – NOISE EMISSION IN THE ENVIRONMENT

Signature and stamp on undersigned responsible:

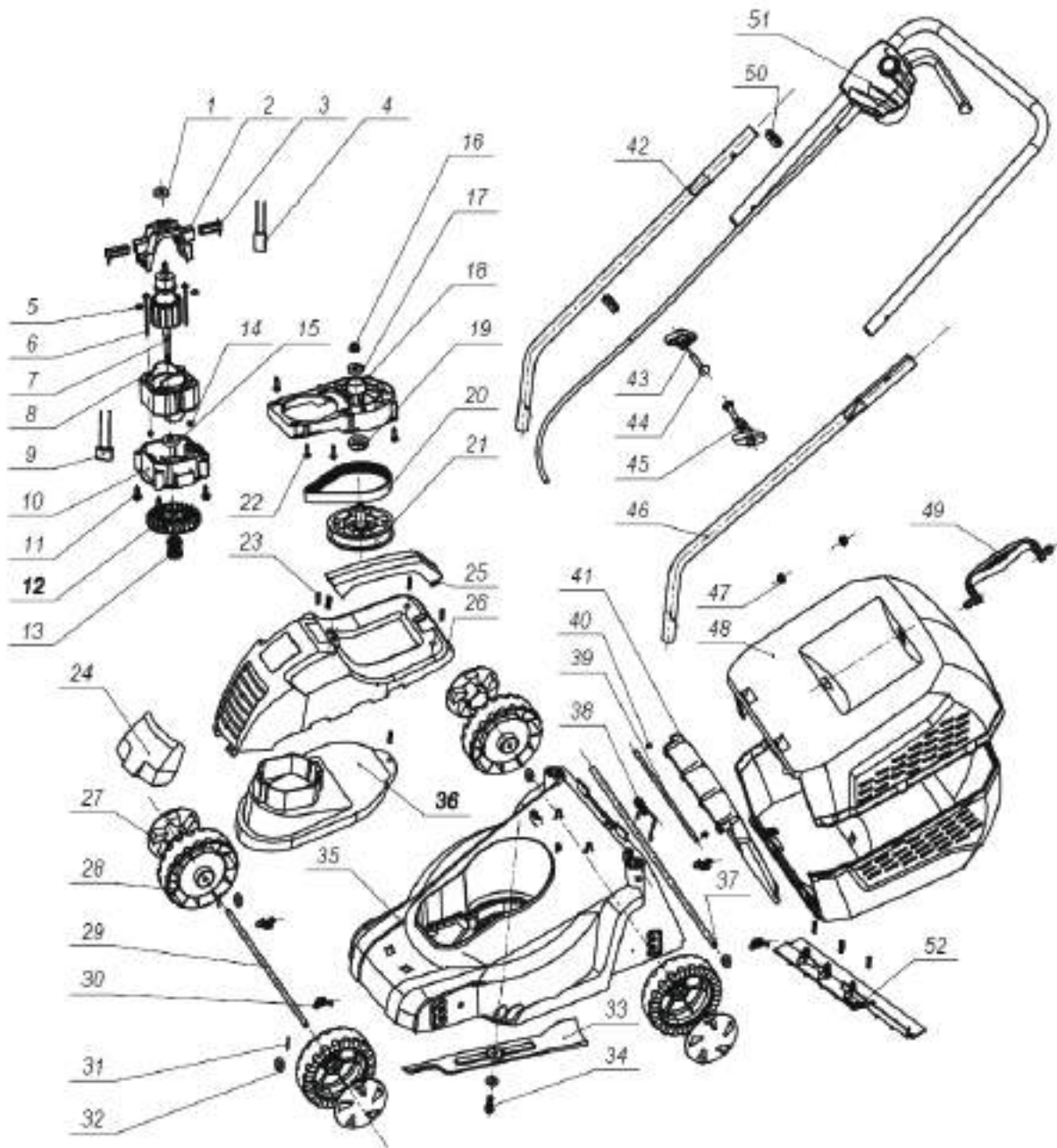
Date and place:



Setembre, 2020
Hong Kong

7. СХЕМА И СПИСКЪ С РЕЗЕРВНИ ЧАСТИ

DLM1400E

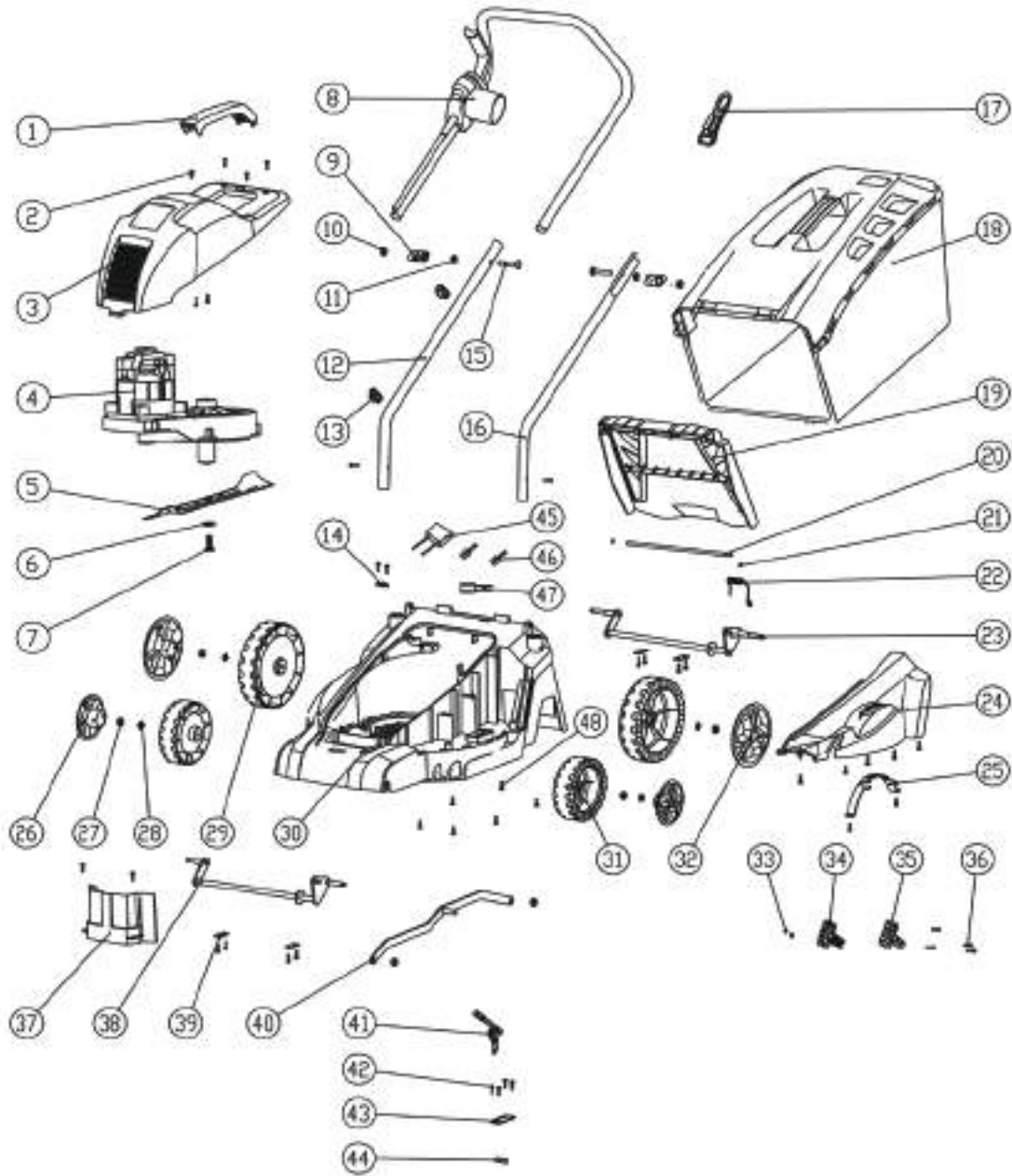


BG

Списък с резервните части

№	Наименование	Кол.	№	Наименование	Кол.
1	Лагер 608-2Z	1	27	Капак на колелото	4
2	Заден капак на електродвигателя	1	28	Колело	4
3	Карбонови четки	2	29	Ос на предните колела	1
4	Защита от претоварване	1	30	Пружина на оста	4
5	Плоска шайба	2	31	Шплент	4
6	Винт	2	32	Плоска шайба	5
7	Ротор	1	33	Нож	1
8	Статор	1	34	Болт на ножа	1
9	Кондензатор	1	35	Корпус	1
10	Преден капак на електродвигателя	1	36	Капак - въздуховод	1
11	Винт	4	37	Ос на задните колела	1
12	Турбина на ротора	1	38	Пружина на оста	1
13	Ремъчна шайба малка	1	39	Ос на задния капак	1
14	Гайка	2	40	Зегерка	1
15	Лагер 6000-2Z	1	41	Заден капак	1
16	Гайка	1	42	Дясна част на ръкохватката	1
17	Лагер 609-2Z	1	43	Щипка	2
18	Фиксирана плоча	1	44	Болт	2
19	Лагер 6002-2Z	1	45	Гайка	2
20	Ремък	1	46	Лява част на ръкохватката	1
21	Ремъчна шайба голяма	1	47	Капачка на кутията	2
22	Винт	6	48	Капак на кутията	2
23	Винт	18	49	Ръкохватка на кутията	1
24	Преден блок	1	50	Щипка на кабела	2
25	Ръкохватка на капака	1	51	Пусков ключ - комплект	1
26	Горен капак	1	52	Опорна плоча	1

DLM1700E



BG

Списък с резервните части

N	Наименование	К-во	N	Наименование	К-во
1	Ръкохватка на капака	1	25	Предпазен капак	1
2	Винт	4	26	Капак на предните колела	2
3	Горен капак	1	27	Винт	6
4	Електромотор 1700W	1	28	Плоска шайба	4
5	Нож	1	29	Задни колела	2
6	Шайба	1	30	Корпус	1
7	Болт на ножа	1	31	Предни колела	2
8	Пусков ключ - комплект	1	32	Капак на задните колела	2
9	Щипка	2	33	Винт	2
10	Винт	2	34	Горен капак на ръкохватката	1
11	Подложка на тръбата	2	35	Долен капак на ръкохватката	1
12	Дясна част на ръкохватката	1	36	Винт	2
13	Щипка на кабела	2	37	Преграден капак	1
14	Фиксатор на кабела	1	38	Ос на предните колела	1
15	Болт на тръбата	2	39	Фиксатор на оста	4
16	Лява част на ръкохватката	1	40	Лост за фиксиране по височина	1
17	Кука на кабела	1	41	Дръжка на лоста по височина	1
18	Кутия	1	42	Винт	27
19	Заден капак	1	43	Фиксираща плоча	1
20	Ос на задния капак	1	44	Шплент	1
21	Зегерка	2	45	Кондензатор	1
22	Пружина на задния капак	1	46	Кабелна обувка	3
23	Ос на задните колела	1	47	Защита от претоварване	1
24	Страничен капак	1	48	Винт	6
			49	Предпазен капак	1

9. ГАРАНЦИОННА КАРТА

GENERAL
DISTRIBUTION

Гаранционна карта
Моторни, пневматични и електроинструменти
Дженерал Дистрибушън АД

Купувач (име и фамилия/наименование на фирма и ЕИК):.....
.....
Адрес: Тел:
Тип на машината:.....
Модел:
Сериен № на машината*: Арт. №:.....
Сериен № на батерията*: Арт. №:.....
Сериен № на зарядната станция*: Арт. №:.....
Фактура №:.....
Магазин /търговец/, от който е закупена стоката.....
адрес:.....
Дата на покупката: Подпис и печат на търговеца:

СЕРВИЗЕН КАРТОН (попълва се от оторизиран от производителя сервиз)

Приеман протокол	Дата на приемане	Описание на дефекта / Извършен ремонт	Дата на предаване	Подпис

Купувачът има възможност да предяви търговската гаранция, както и да предаде машина за ремонт на следните места:

- Търговските обекти на търговеца, от който е закупена стоката
- Оторизираният сервизен център в населеното място, в което се намира (ако има такъв)
- Оторизираните пунктовете за приемане на машини в страната

Централен гаранционен сервиз на Дженерал Дистрибушън:
София, бул. Цариградско шосе № 361, тел.: 0893 383 798

Пунктове за приемане на гаранционни машини в страната:

Бургас: ул. Крайезерна № 1
Варна: ул. Атанас Москов №3, тел.: 052/575400
Пловдив: ул. Васил Левски 248 А, тел: 032/946065
Русе: бул. Трети март 42, тел: 082/870104
Стара Загора: бул. Патриарх Евтимий 37, тел: 042/600699
Велико Търново: 5000 местност Маринкини мостчета, тел: 062/690003
Плевен: ул. Гренадирска 90, тел.: 064/600082

* Правото на гаранционен сервиз е единствено за машината с посочения в картата сериен номер

Гаранционни условия

Моторните, пневматичните и електроинструментите, предлагани от Дженерал Дистрибушън АД /Дружеството/, са инструменти и машини, предназначени за домашна и хоби употреба, конструирани и произведени съгласно действащите нормативни директиви и стандарти за съответствие на Европейския съюз, като са изпълнени изискванията за безопасност. Търговската гаранция за машините и пневматичните инструменти е 24 месеца от датата на покупката за лица, които имат качеството потребители по смисъла на § 6 т. 6 от Закона за предоставяне на цифрово съдържание и цифрови услуги и за продажба на стоки, а за всички останали купувачи търговската гаранция е валидна 12 /дванадесет/ месеца от датата на покупката. Търговската гаранция за батерии и зарядни станции за всички купувачи е 6 месеца от датата на покупката. Търговската гаранция може да бъде предявена на територията на Р.България, в посочените по-горе пунктове на Дженерал Дистрибушън АД или в търговските обекти на търговеца /магазина/, от който е закупена машината. За предявяване на рекламация купувачът е необходимо да представи: коректно попълнена документация за закупената машина; попълнена гаранция – задължителни атрибути по гаранционната карта са сериен номер на машината, подпис и печат на търговеца, продавал машината, подпис от страна на купувача, че е запознат с гаранционните условия и фискален касов бон или фактура, удостоверяваща датата на покупката.

За рекламация и ремонт се приемат само добре почистени машини.

Гаранцията покрива производствени дефекти в изработката или в материала и е валидна при условие, че машината е ползвана единствено според нейното предназначение, в точно съответствие с инструкциите на производителя за експлоатация и поддръжка. Купувачът е задължен да се информира за изискванията на производителя, посочени в инструкцията на последния, придружаваща стоката при покупката. В случай, че по каквато и да е причина не разполагате с инструкцията за експлоатация и поддръжка /дори и да сте я загубили/, свържете се с нас на посочените по-горе телефони и/или адреси, за да ви я предоставим повторно!

При основателна рекламация за гаранционна повреда Дженерал Дистрибушън АД ще извърши ремонт до един месец от предаване на машината за рекламация. По преценка на дружеството, при невъзможност за отстраняване на дефекта, продукта може да бъде заменен с нов. При изчерпана наличност, Дженерал Дистрибушън АД уведомява Купувача и при негово съгласие го заменя с подобен или възстановява заплатената сума. Търговската гаранция е валидна съобразно условията, посочени в нея, като изпълнението на поетите от Дженерал Дистрибушън АД задължения по търговската гаранция не е свързано с разходи за потребителя. Електроинструментите трябва да се използват само по предназначение в съответствие с инструкцията за експлоатация и при съблюдаване на мерките за безопасност, описани в инструкцията. Всички машини изискват периодична проверка и подходяща поддръжка. Моля, информирайте се своевременно за предписанията на производителя в Инструкцията за експлоатация и поддръжка на машината!

Гаранцията не покрива:

- Цялостните повреди на инструментите, причинени от природни бедствия, наводнения, земетресения, пожари и т.н.;
- Износване на цветното покритие на инструментите;
- Стопяеми електрически предпазители и крушки;
- Ръчен стартерен механизъм и ел. свещ;
- Части и консумативи, които подлежат на износване, причинено от ползването, в това число, но не само: грес и масло, четки, водачи, опорни ролки, задвижващи ремъци, гъвкав вал с жило и др.;
- Допълнителни аксесоари и консумативи в това число, но не само: ръкохватки, кутии, свредла, дискове за рязане, секачи, ножове, вериги, шкурки, ограничители, полир-шайби, патронници, макарата за корда и самата корда за косачки и др.;
- Механични повреди по корпуса на изделието или декоративните елементи по него, предпазители за очи, режещи инструменти, гумирани плочи, закопчалки, линеали, захранващ кабел и щепсел.

Отпадане на гаранция

Дженерал Дистрибушън АД има правото да откаже безплатен гаранционен сервиз в случай, че:

- е правен опит за неоторизирана сервизна намеса в неупълномощена сервизна база;
- идентификационния етикет на изделието е заличен или изцяло липсва такъв;
- не е попълнен сериен номер на машината в гаранционната карта;
- несъответстващ сериен номер на машината с попълнения в гаранционната карта;
- повредите са причинени в следствие на небрежно боравене с изделието;

* Правото на гаранционен сервиз е единствено за машината с посочения в картата сериен номер

- повреда на ротор или статор, изразяваща се в слепване между тях, в следствие на стопяване на изоляциите, причинено от продължително претоварване;
- повреди на ротор /потъмняла намотка/ - получава се при включване на консуматори, по-мощни от указаните в инструкцията;
- повреда на ротор или статор, причинена от претоварване или нарушена вентилация, изразяваща се в равномерно потъмняване на колектора и намотките;
- механични повреди, повреди от изпускане, или от злоумишлени действия на трети лица;
- при неспазване на изискванията на производителя относно правилното съотношение на масло и гориво;
- хранящият кабел на машината е удължаван или подменян от купувача;
- липсват защитни дискове, опорни плотове или други компоненти, които са част от конструкцията на инструмента и са предназначени за осигуряването на безопасната му и/или правилна експлоатация;
- износване на лагери, поради претоварване или продължителна работа;
- повредата е причинена от претоварване или липса на вентилация и недостатъчно смазване на движещите се компоненти;
- блокирало бутало в цилиндъра /залепени сегменти/, износени лагери и семеринги на колянвия вал, следствие на недостатъчно смазване или работа с блокирана спирачка;
- запушена горивна система;
- натрупан нагар, загуба на центровка, повредена ел. свещ – получава се при предозиране на маслото при двутактовите мотори, липса на масло за режещата верига или изхабена верига;
- повредено центробежно колело и/или спирачка /променен цвят/ - дължи се на работа с блокирана спирачка;
- машината не е ползвана по предназначение, в съответствие с инструкцията за експлоатация или при съблюдаване на мерките за безопасност, описани в инструкцията;
- машината е използвана за каквито и да е комерсиални цели, различни от домашна употреба;
- Когато повредата е настъпила вследствие на попадане на външно тяло (течности, монети, прах в голямо количество, насекоми, гризачи и др.), под въздействието на агресивна външна среда, при експлоатация в помещение с отрицателни температури или не са полагани елементарни грижи за изделието;
- Когато дефекта е вследствие на сътресения, удари, колебания в напрежението, механични или електрически претоварвания;
- не са извършвани периодични проверки или подходяща поддръжка за машината, съобразно инструкцията за експлоатация;

Използването на хоби техника за професионални цели води до сериозно претоварване на машината и е основание за отказ от гаранционно обслужване.

Сервизите не носят отговорност за непотърсени в рамките на едномесечен срок машини!

Дефектиралите елементи ще бъдат взети за отчет от сервизния работник!

Независимо от търговската гаранция, продавачът носи отговорност за липса на съответствие на стоките, цифровото съдържание и цифровите услуги, съгласно закона. При несъответствие на стоките, потребителят - по смисъла на § 6 т.6 от Закона за предоставяне на цифрово съдържание и цифрови услуги и продажба на стоки („ЗПЦСЦУПС“) - има правни средства за защита срещу продавача, които не са свързани с разходи за него, по силата на закона. Настоящата гаранция не засяга тези средства за защита на потребителя.

* Правото на гаранционен сервиз е единствено за машината с посочения в картата сериен номер.

* Тази гаранционна карта е в сила от 1.1.2022 г. и отменя всички предшествващи я версии.



DAEWOO
POWER PRODUCTS

ВНОСИТЕЛ:
ДЖЕНЕРАЛ ДИСТРИБЮШЪН АД
1784 СОФИЯ, МЛАДОСТ 1, БУЛ. АНДРЕЙ ЛЯПЧЕВ 51
ТЕЛ.: +359 2 81 77 600, ФАКС: +359 2 81 77 601

www.daewoopower.bg