

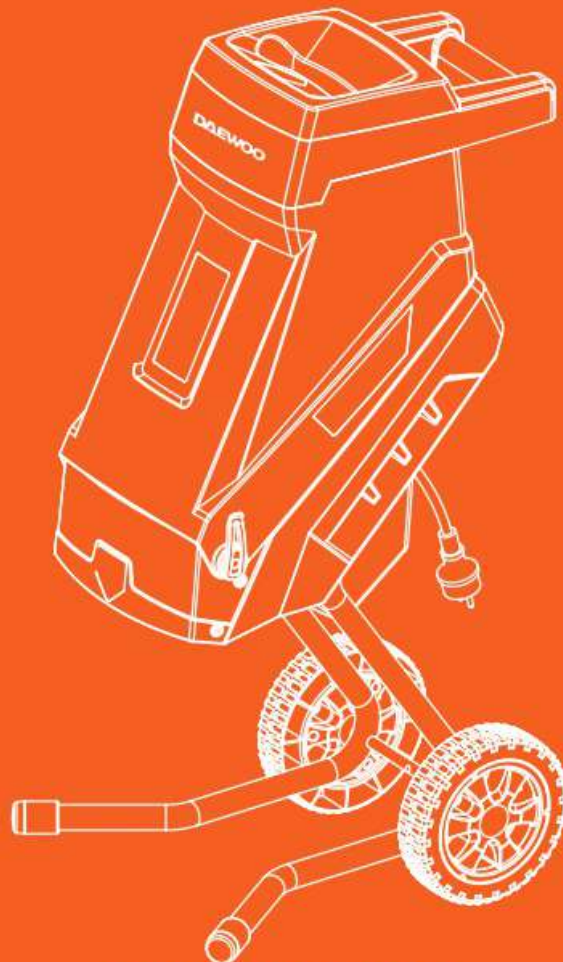


DAEWOO

POWER PRODUCTS

DACSB2400

CUTTING SHREDDER / ДРОБИЛКА ЕЛЕКТРИЧЕСКА
С ТОРБА 45 ЛИТРА, 2400W



USER'S MANUAL

ОРИГИНАЛНА ИНСТРУКЦИЯ ЗА ЕКСПЛОАТАЦИЯ

Manufactured under license of Daewoo International Corporation, Korea
Произведено по лиценз на Daewoo International Corporation, Korea

INDEX

1. SAFETY WARNINGS	3
2. ASSEMBLE	9
3. HOW DO I USE THIS PRODUCT?	10
4. OPERATE	12
5. MAINTENANCE	16
6. TECHNICAL DATA	17
7. FAILURE REMOVAL	17
8. EXPLODED VIEW	33
9. CE DECLARATION OF CONFORMITY	36
10. WARRANTY	37

INTRODUCTION

Thank you for placing your trust in our product!

Before using the product for the first time, please make sure you read these operating instructions! Here you will find information about how to use the product safely and ensure its long service life. You should pay attention to all of the safety instructions in this document!

Note: Illustrations and specifications in this manual may vary according to Country requirements and are subject to change without notice by the manufacturer.

1. SAFETY WARNINGS

Before you start...

Proper use of the product

This device is only designed for chipping operations outside.

The device is designed for the cutting up of fibrous or woody organic material from the household or garden. It may not be filled with stones, glass, metal, bones, plastics or textile waste.

This device is only designated for private use on private property.

Any other type of use is not permitted! Any unintended use or any activities regarding the device that are not described in these operating instructions will be considered an unauthorised misuse outside the manufacturer's legal liability limits.

EXPLANATION OF SYMBOLS AND SAFETY WARNINGS

In the operating manual

Notes indicating danger and other notes are clearly identified in the operating manual. The following symbols are used:



Type and source of danger! This danger sign warns of damage to the device, the environment or damage to property. Ignoring a danger note can cause serious injuries and is a risk to life.

On the device

The following symbols are located on the device:



Read operator's manual



Wear eye and ear protection



Immediately pull the plug out of the socket (separate unit from the power supply) if the cable is damaged or cut.



Protect from moisture



Keep bystanders away



Danger – Rotating blades. Keep hands and feet out of openings while machine is running.



Before carrying out any work on the chain saw such as recruitment, cleaning, etc. and switch off plug from the socket.



Sound pressure level (LWA)



Waste electrical products should not be disposed of with household waste. Please recycle where facilities exist. Check with your local authority or retailer for recycling device

SHEDDER COMPONENTS

1. Feed hopper
2. Shredder body
3. Motor cover
4. Collection box
5. Frame
6. Wheel
7. Feet
8. Main switch
9. Circuit breaker
10. Cover knob



Fig. 1

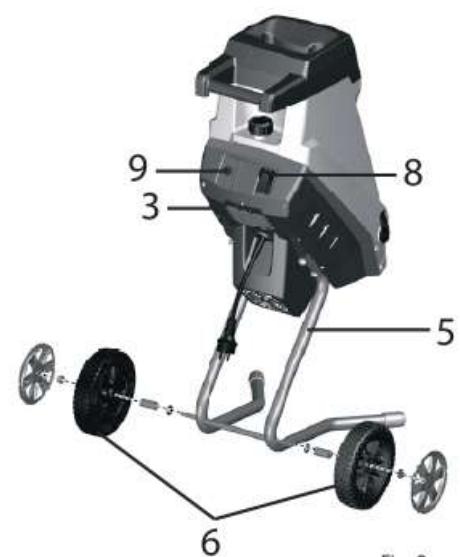


Fig. 2

Safe operating practices

General Warning!

This appliance is not intended for use by persons (including children) with reduced physical, sensory or mental capabilities, or lack of experience and knowledge, unless they have been given supervision or instruction concerning use of the appliance by a person responsible for their safety.

Children should be supervised to ensure that they do not play with the appliance.

Training

Become familiar with the owner's manual before attempting to operate this equipment.

Preparation

- 1) Do not allow children to operate this equipment;
- 2) Do not operate this equipment in the vicinity of bystanders;
- 3) Wear ear protection and safety glasses at all times while operating the machine;
- 4) Avoid wearing clothing that is loose fitting or that has hanging cords or ties;
- 5) Only operate the machine in open space (e.g. not close to a wall or other fixed object) and on a firm, level surface;
- 6) Do not operate the machine on a paved or gravel surface where ejected material could cause injury;
- 7) Before starting the machine, check that all screws, nuts, bolts, and other fasteners are properly secured and that guards and screens are in place. Replace damaged or unreadable labels;

Maintenance and storage

- 1) When the machine is stopped for servicing, inspection, or storage, or to change an accessory, shut off the power source, disconnect the unit from the power supply, make sure that all moving parts have come to a complete stop and where a key is fitted remove the key. Allow the machine to cool before making any inspections, adjustments, etc.
- 2) Always allow the machine to cool before storing;

Workplace safety

- Ensure that the area you are working in is clean and well lit. Untidy or unlit workplaces can lead to accidents.
- Do not use the electrical tool in an environment prone to the risk of explosion, or in which flammable liquids, gases or dusts may be found. Electrical tools cause sparks which may ignite dust or vapours.
- Keep children and other people away from the electrical tool when it is in use. If distracted, you may lose control of the device.

Safety tips for electronic devices

- The plug of the electrical tool must fit into the socket. The plug may not be modified in any way. Do not use an adapter plug in conjunction with a grounded electrical tool. Unmodified plugs and the appropriate sockets will reduce the risk of an electrical shock.
- Avoid body contact with grounded surfaces, for example, pipes, heating, ovens and fridges. There is an increased risk of electrical shock if your body is earthed.
- Keep the electrical tools away from rain or damp. Water entering into an electrical device will increase the risk of an electrical shock.
- Do not misuse the cable to carry the electrical tool, to hang it up or to pull the plug out of the socket. Keep the cable away from heat, oil, sharp edges or moving device parts. Damaged or coiled cables increase the risk of an electrical shock.

- If the supply cord is damaged, it must be replaced by the manufacturer, its service agent or similarly qualified persons in order to avoid a hazard.
- When you use an electrical tool out in the open, use an extension cable that is designed for outside use. The use of an extension cable that is designed for outdoor use reduces the risk of an electrical shock.
- If it is not possible to avoid using the electrical tool in a damp environment, use a residual current circuit-breaker with a trigger current of 30 mA or lower. The use of a residual current circuit-breaker reduces the risk of an electrical shock.
- Arrange the connecting cable in such a way that it cannot be caught by branches or similar when cutting.

Safety of persons

- Pay attention to what you are doing and be sensible when working with an electrical tool. Do not use an electrical tool if you are tired or under the influence of drugs, alcohol or prescription drugs. A single moment of inattention when using an electrical tool can lead to serious injuries.
- Wear personal protective gear and always wear goggles. Wearing personal protective clothing, such as breathing masks, non-slip safety shoes, protective helmet or ear defenders, according to type and use of the electrical tool, will reduce the risk of injuries.
- Avoid starting the tool accidentally. Ensure that the electrical tool is switched off before you connect it to the power supply and/or battery, or transport it. If you have your finger on the switch when moving the device or have it switched on when connecting to the power supply, this may lead to accidents.
- Remove the adjusting tools or wrench before switching the electrical tool on. A tool or a wrench caught in a rotating part of the device may lead to injuries.
- Avoid abnormal body positions. Ensure that you are standing firmly, and keep your balance at all times.

This will enable you to control the electrical tool better in the event of unexpected situations.

- Wear suitable clothing. Do not wear loose-fitting clothing or jewellery. Keep hair, clothing and gloves well away from moving parts. Loose-fitting clothing, jewellery or long hair may become caught in moving parts.
- If dust suction and collection mechanisms can be mounted, ensure that these are connected and used correctly. Using a dust suction unit can reduce the risks posed by dust.

Careful handling and use of electrical tools

- Do not overload the device. Use the appropriate electrical tool for the job in hand. Using the correct electrical tool allows you to work better and more safely in the specified performance range.
- Do not use an electrical tool with a defective switch. An electrical tool that cannot be switched on or off is dangerous and must be repaired.
- Pull the plug out of the socket and/or remove the battery before making any settings to the device, changing accessories or putting the tool down. These safety measures will help to prevent unintentional starting of the electrical tool.
- Keep electrical tools that are not in use well out of the reach of children. Do not allow people who are unfamiliar with the device or who have not read these instructions to use the device. Electrical tools are dangerous if they are used by inexperienced persons.
- Take good care of your electrical tools. Check whether the moving parts function with no difficulties and do not jam, check whether parts are broken or damaged in such a way that the functionality of the electrical tool is impaired. Have damaged parts repaired before using the device. Many accidents are caused by badly maintained electrical tools.

- Ensure that your cutting tools are sharp and clean. Properly cared for cutting tools with sharp cutting edges are less likely to become jammed and are easier to operate.
- Use the electrical tool, accessories, adjustment tools etc in accordance with these instructions. Take the working conditions and the tasks to be completed into account. The use of electrical tools for tasks other than the one they are intended for can lead to dangerous situations.

Service

- Only have your electrical tools repaired by qualified specialists and with original replacement parts.- This ensures that the safety of the electrical tool is maintained.
- Before conducting any maintenance, make sure the device is unplugged (disconnect the power supply) and wait until the blade shaft is at a complete standstill. Allow the device to cool down before doing anything.
- Only those maintenance and fault elimination tasks described here, may be carried out. Any other tasks must be completed by a specialist.
- Check all screws regularly to ensure that they sit tight.
- Conversions, independent modifications and the use of non-approved parts are not permitted.
- Only use original replacement parts. Only these replacement parts are designed and suitable for the device. Other replacement parts will not only lead to an invalidation of the guarantee, they may also endanger you and your environment. Always store the device in a dry location.
- If the machine is switched off for the purpose of maintenance, storage or to replace an accessory, ensure that the plug has been pulled from the socket. Ensure that all of the moving parts have come to a standstill and, if there is a key, remove it. Allow the machine to cool down before carrying out maintenance, adjustment work etc.
- Always allow the machine to cool down before storing.
- Never transport the unit with the engine running. Protect the device from becoming damaged during transportation.

Personal protective clothing



Wear goggles and ear defenders.



When working with the tool, wear sturdy footwear.



Wear protective gloves when working with the device.



Wear close fitting clothes when working with the device.

Tool-specific notes

Risk of electric shock



Warning:
The cutting tools continue to rotate after the engine has been switched off.

Failure to comply with the following instructions will lead to serious injury or death by electrocution.

- Before use, check the mains and extension cables for damages. Pay attention to age and state.
- Never operate the device in a damp or wet environment. Never work in the rain.
Never feed wet leaves into the unit.
- Make sure the connection cable is always kept out of the working range of the device.
Make sure that cables always lead away from the rear of the device.
- The device may only be connected to a socket that is correctly installed and grounded.
- The fuse must be a residual current circuit-breaker with a measured residual current of no more than 30 mA .
- Make sure that the power supply corresponds with the connection specifications of the device before it is connected.
- The device may only be used within the specified limitations for voltage, power and nominal rotation speed (see type plate).
- If required, only use extension cords that are appropriate for both the device and the environment. If in doubt, ask an expert in electrical matters.
- Never operate the device in flammable or explosive environments.
- If the power cable is damaged, immediately pull out the plug. Never use the device if the power cable is damaged.
- When working with the device do not touch grounded objects (radiators, water pipes etc.).
- If the device is not in use make sure the plug is pulled out.
- Make sure that the device is switched off before plugging in the mains cable.
- Make sure that the device is switched off before unplugging it.
- Disconnect the power supply before transporting the device.

Risk of cuts

Failure to comply with the following instructions will lead to serious injury or death from cuts.

- Before starting the machine up, check all screws, nuts, bolts and other fixtures to ensure that they are fitted tightly and make sure that all covers and guards are in place. Labels that are damaged or cannot be read must be replaced.
- Check, before switching on, whether the blades are correctly mounted and sit tightly.
- Never use the device without the feed hopper.
- If the chipper is blocked, first switch off the device, pull the plug out of the socket and wait until the machine has come to a complete standstill before removing the blockage.
Keep the on/off switch clean and free of foreign objects.
- Never attempt to remove cut material or hold onto material being cut while the blade is operating.
Remove chippings/saw dust only when the device has been switched off.
- Avoid direct contact with the rotating cutting blade. Keep hands and feet away from the openings when the machine is running.
- Never put hands or other parts of the body or clothing into the feed chamber, ejection channel or in the vicinity of other moving parts.

Risk of injury!

Failure to comply with the following instructions will lead to serious injury or death.

- Make sure that the filler funnel is empty before starting the machine.
- Always remove the cut material from the ejection zone before it piles up. In this way,

you avoid blocking the chipper or allowing cut material to enter the feed hopper opening via kickback. This may lead to accidents.

- In the vicinity of 3 m around the cutting area there should be no people or animals as they maybe hurt by flying objects.
- Never operate the unit on tiled or cemented surfaces. The cut material may rebound and cause injuries.
- Ensure that the on/off switch is set to "Off" when you put the plug into the socket.

Damage to the device

Failure to comply with the following instructions leads to damage of the device.

- The ventilation slots may not be covered by the collection container or by chipped material.
- Do not overload the device. Only use the device for its intended purpose.
- If the machine starts to vibrate in an usual way, check it immediately.

2. ASSEMBLE

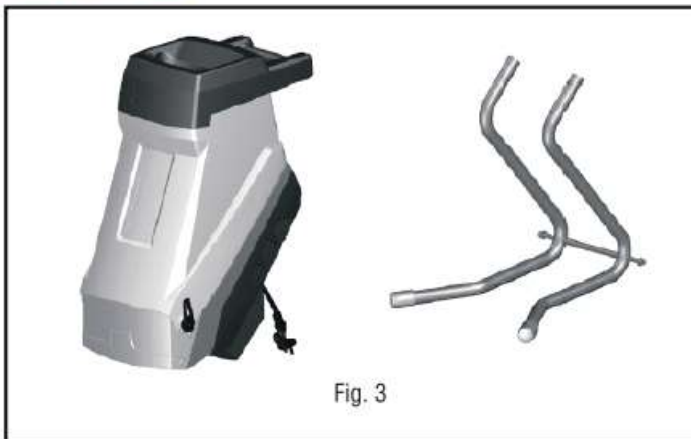


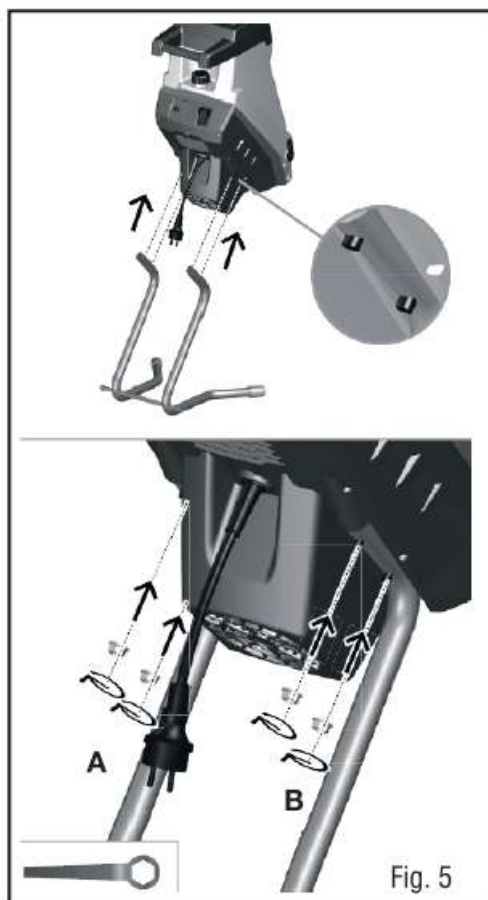
Fig. 3

1. Turn on the Foot A and Foot B to the appropriate location (Fig.5), then upside down the machine.
2. Mount the wheel in the same order illustrated in fig. 6 ensure the nut is not too tight.
3. Attach the collection bag to the appropriate location (Fig 7).
4. The assembled cutting shredder should look as the machine on (Fig. 8)

NOTE: It is dangerous to use the machine without the hopper. (Fig. 8)



Fig. 4



3. HOW DO I USE THIS PRODUCT?

Before using the machine, read the instructions thoroughly and acquaint yourself with the features of the machine.

Before inspecting or servicing any part of the appliance, switch off, pull the plug from the mains and make sure that all moving parts have come to a complete stop.

1. Inspect the material to be shredded before starting. Remove any objects or debris that could be thrown, jammed or become entangled in the blades. Remove any soil from root balls. Foreign bodies like stones, glass, metals, fabrics, or plastics must not enter the in-feed chute, these could damage the blades.
2. Always place the machine on firm level ground. During operation, do not tilt or move.
3. Allow the cutting blades to reach full speed before feeding the material into the in-feed chute.
4. Use the machine to shred the following materials only:
 - Twigs and branches (Max. diameter 45mm)
 - Waste from pruning bushes
 - Waste from trimming hedges
 - Plant material and other garden waste
 - Leaves and plant roots (remove soil from roots before shredding)
5. Do not fill soft waste such as kitchen rubbish into the shredder, but compost them.
6. Feed the material to be shredded into the corner of the in-feed chute, if it is not too bulky, the material will be drawn in by the blades.
7. Only insert as much material so that the in-feed chute will not be blocked up.
8. Warning: Long material extending out from the machine could lash out when being drawn in by the blades. Please keep at safe distance.
9. Ensure the shredded material can fall freely from the discharge chute.
10. To make finer compost the shredded material can be shredded for a second time.
11. Do not allow the shredded material to build up to a level where it blocks the discharge chute. If the material builds up too far it could reach the cutting blades and be thrown out of the in-feed chute.
12. Organic material contains a large amount of water and sap that can stick to the shredder. To avoid this the material should be left for a few days to dry out. Large branches however are best shredded when they are fresh.
13. If during cutting the blade stalls, stop the shredder immediately and disconnect it from the mains supply before investigating the cause.
14. Remove any jammed debris from the blades and examine them for any damage before re-commencing shredding.
15. If the blade has stalled for more than 5 seconds the safety overload switch will operate and switch the machine off. Allow the machine to cool down for at least 1 minute before re-starting. Push the overload switch first and then push on the On/Off switch to re-start the machine.
16. If the cutting mechanism strikes any foreign object or if the appliance should start making any unusual noise or vibration, immediately switch off and allow the cutting means to stop. Pull the plug from the mains supply and take the following steps:
 - i) Inspect for damage.
 - ii) Replace or repair any damage parts.
 - iii) Check for and tighten any loose parts.
17. If the appliance becomes clogged, switch off and allow the cutting means to stop. Pull the plug from the mains supply before cleaning debris.
18. Keep the motor cooling vents clean of debris and other accumulations to prevent damage to the motor or possible fire.
19. Switch off, allow the cutting means to stop and pull the plug from the mains supply whenever you leave the work area.
20. Do not allow processed material to build up in the discharge zone; this may prevent proper discharge and can result in kickback of material through the feed intake opening.

4. OPERATE

Starting and Stopping the shredder

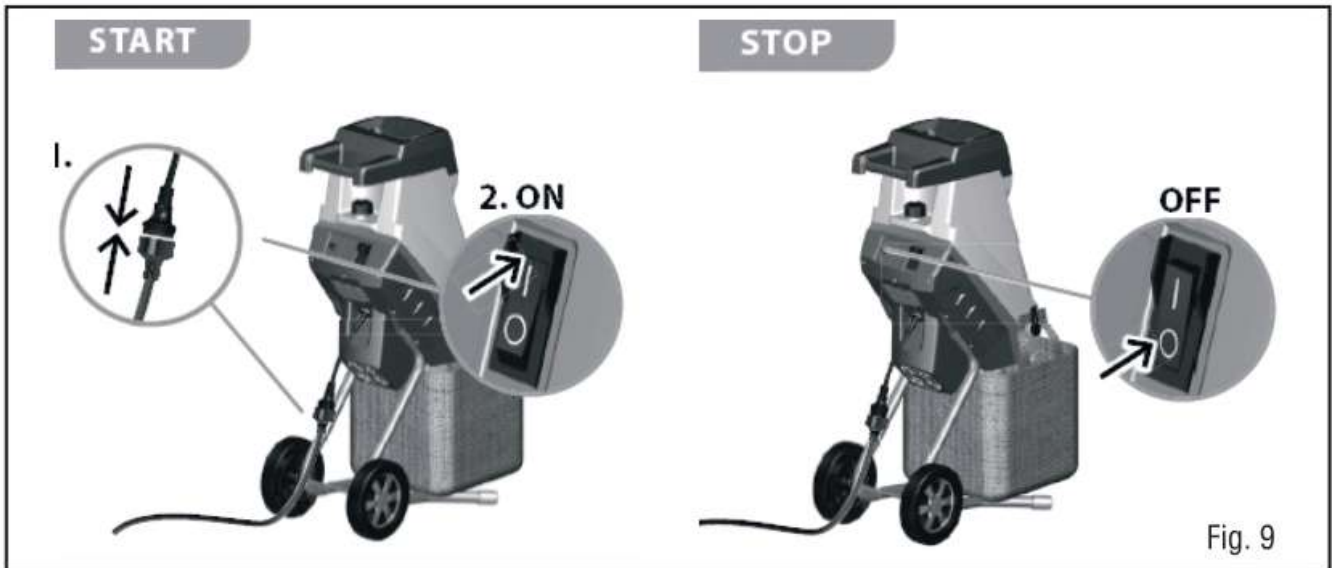


Fig. 9

Press the switch marked "1" to start and marked "0" to stop the motor.

Press the "circuit breaker" button if the machine does not work, ensure you have connected to the power supply.

When the motor has been running for a few seconds you can commence shredding.

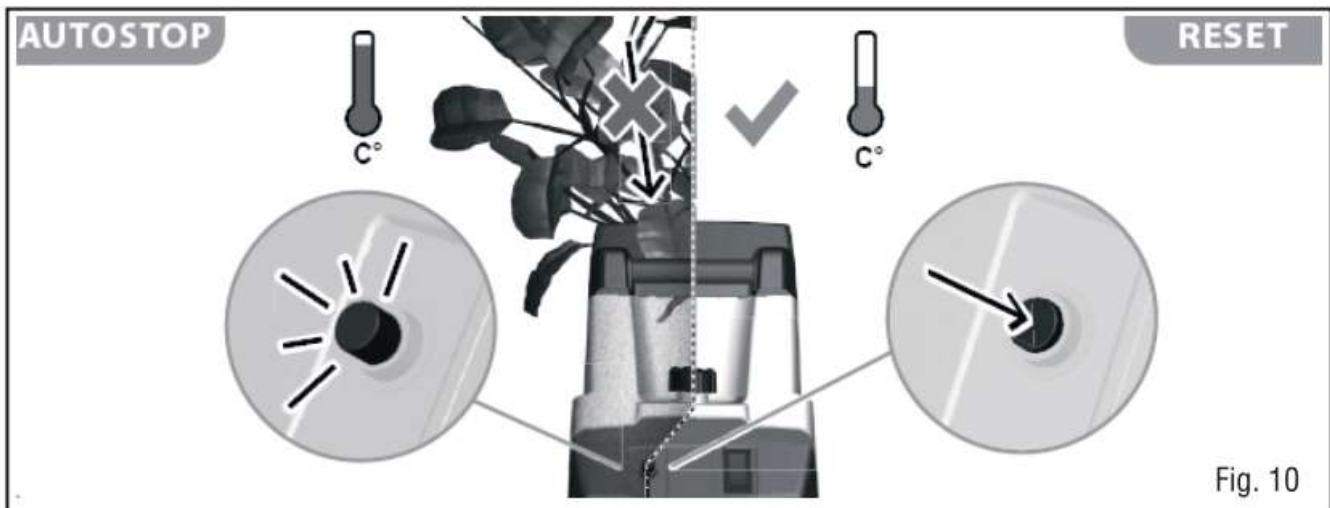


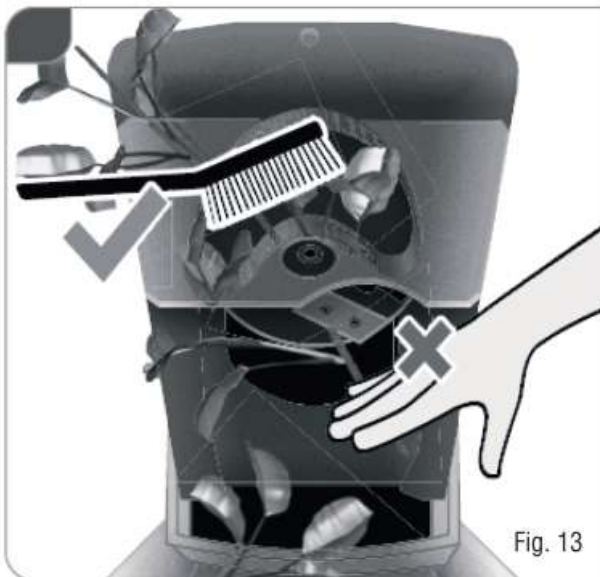
Fig. 10

The circuit breaker will be activated in the following circumstances:

- a. A build up of shredded material around the cutting disc.
- b. If the material being shredded is greater than the motor capacity.
- c. Where there is too much resistance against the cutting blade.

When the circuit breaker has been activated switch-off the shredder and disconnect the power supply.

- a. Unscrew the reamer knob at the base of the turret and open top section
- b. Remove the debris or obstruction from the cutting area
- c. Return the top section and tighten the reamer knob.
- d. Leave motor a few minutes to cool down
- e. Reconnect to the power supply and press the circuit breaker button.
- f. When ready to start shredding press the “1” switch.



Warning: NEVER slacken off the tightening knob without having turned off the On/Off switch and pulled the plug out off the socket.

Warning: The shredder will stop within 5 seconds after switching off.

Using the Plunger

There are a plunger provided to aid feeding less bulky material such as small twigs, leaves, other garden waste and vegetation into the in-feed chute.

1. Load the material into the hopper.
2. Insert the plunger into the in-feed chute pushing the material onto the blade disc.
3. Wait until all the material has been shredded before adding more material.

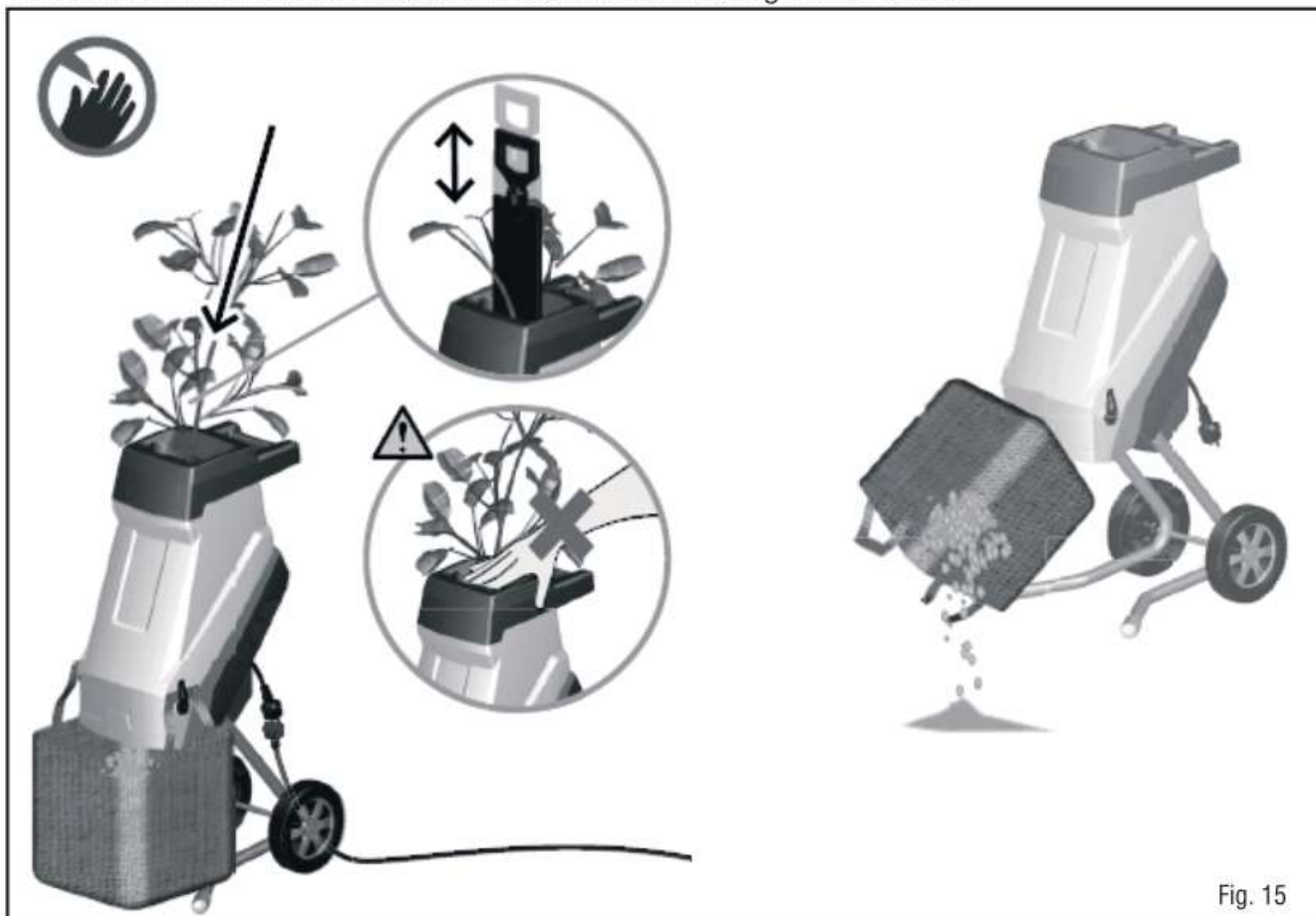


Fig. 15

NOTE: Your fingers must never enter the in-feed chute.

NOTE: Never use the tool if the hopper is not fitted.

NOTE: Do not over reach.

How do I collect the shredded material?

Shut-off the power unit before attaching or removing the bag.

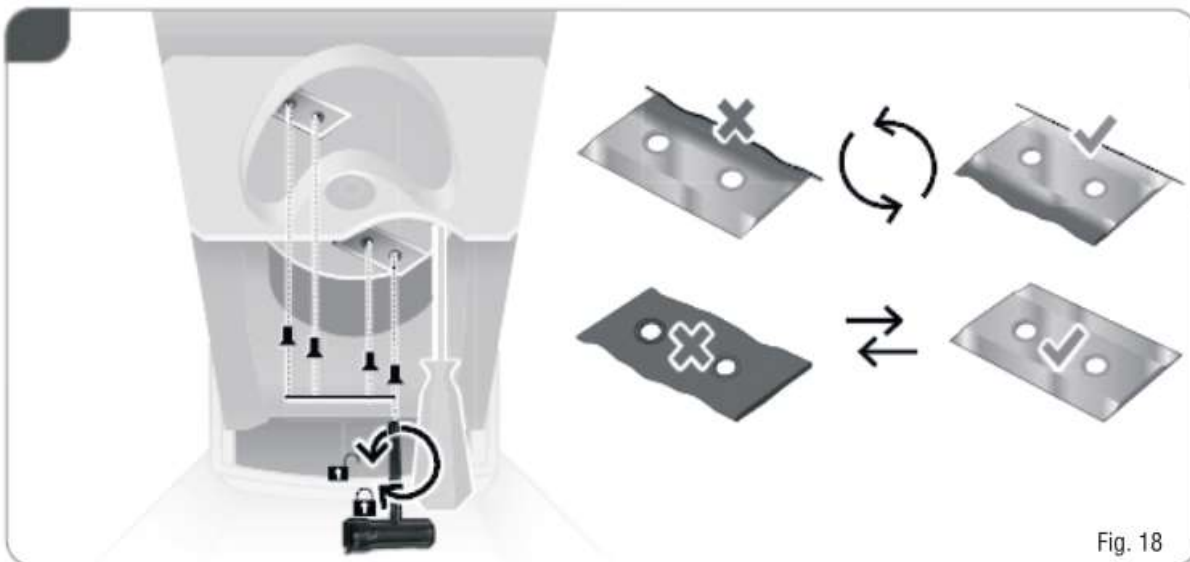
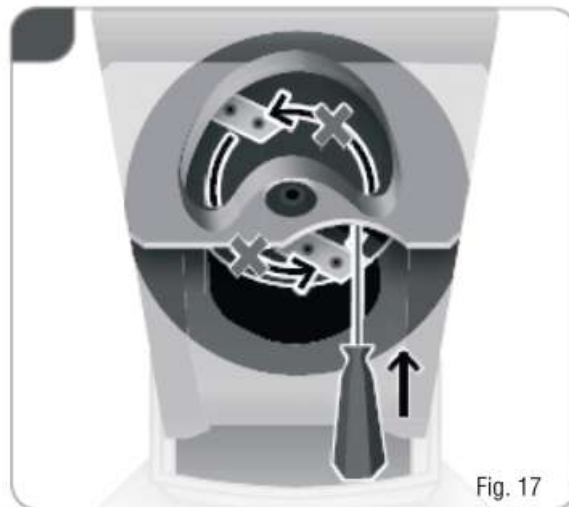
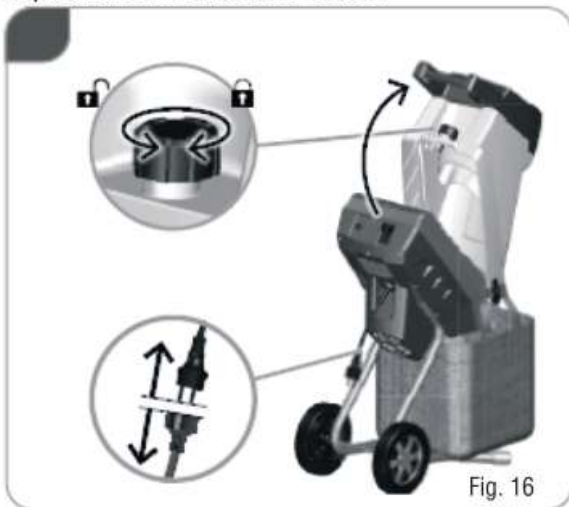
You can use either the collection bag supplied (if supplied) or place the shredder on a tarpaulin sheet to catch the shredded material.

When using the collection bag, you need to fit the collection bag hooks onto the sides of the discharge chute

Warning: The ventilation slots on the machine body must never be covered by the collection bag or shredded material.

How do I replace the blades?

1. Ensure that the shredder is switched off and disconnected from the mains supply.
2. Remove the top feed assembly by unscrewing the reamer knob securing it to the body of the machine.
3. The blades have two cutting edges. When the blades become worn they can be reversed to use the second cutting edge.
4. It is recommended that work gloves be used when replacing the blades.
5. Lock the blade disc using hex spanner. Unscrew the two inner hexagonal headed screws and note the position of the cutting angle of the blade.
6. Remove the blade and rotate it through 180 degrees and fit the blade to the blade disc ensuring that the ground cutting edge is facing downwards.
7. Repeat this for the other blade.



When both cutting edges of the blade have become worn they must be replaced as a pair. The blades can be re-sharpened, but this must be done by an experienced person using an oil stone. We do not recommend this be done as the weight of each blade is critical to maintain the balance of the cutting disc. Any imbalance could cause damage to the machine and possible injury to the operator.

5. MAINTENANCE



Fig. 19

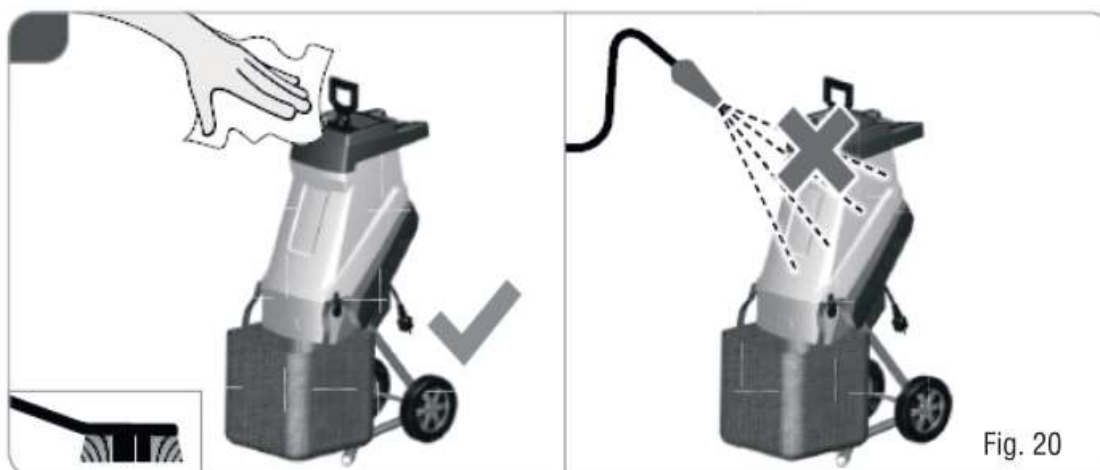


Fig. 20

1. Warning: During maintenance and cleaning ensure the machine is disconnected from the mains.
2. When the appliance is stopped for servicing, inspection, or storage, or to change an accessory, switch off and pull the plug from the mains supply before making any inspections, adjustments, etc.
3. If an extension cord is used it shall not be of lighter grade than the supply cord already fitted to the appliance.
4. Check the supply and any extension cord regularly for damage or signs of ageing. Do not use the appliance, if the cords are damaged.
5. When servicing the cutting means be aware that, even though the motor will not start due to the interlock feature of the guard, the cutting means can still be moved if the motor is turned by hand.
6. Never attempt to override the interlock feature of the guarding.
7. Remove deposited matter from the machine using a brush.
8. Always clean the machine after use. Clean the plastic body and plastic parts using soap and a moist cloth. Do not use aggressive agents or solvents for cleaning.
9. Never clean the shredder with a jet of water or by rinsing. Make sure that no water is allowed to enter into the shredder. Use only the recommended.

6. TECHNICAL DATA

Rated power: 2400 W
 No load speed: 4200 rpm
 Cutting dia: 45 mm
 Collection box: 45 L
 Sound level: 106 dB

7. FAILURE REMOVAL

Failures	Causes	Removal
Engine does not start	No power supply	Check the socket outlet, cable, line and plug, and carry out repairs by a qualified electrician if necessary
	overload protection has responded	wait until motor has cooled down, press reset switch and switch on again
	housing cover is not closed properly	Screw down the housing lockz
garden waste is not collected	shredded material is too soft	work with a pusher or dry twigs/ branches for shredding
	device is blocked	clear the blockage, see picture description
	shredded material in ejection chute	remove shredded material from the ejection chute
device does not shred satisfactorily	blades are worn out	check the blades and, if necessary, reverse or replace them

Съдържание:

1. ИНСТРУКЦИИ ЗА БЕЗОПАСТНОСТ	19
2. СГЛОБЯВАНЕ	24
3. КАК ДА ИЗПОЛЗАМЕ МАШИНАТА.....	25
4. РАБОТА	27
5. ПОДДРЪЖКА	31
6. ТЕХНИЧЕСКИ ДАННИ	32
7. ПРОБЛЕМИ И ТЯХНОТО РЕШАВАНЕ.....	32
8. СХЕМА И СПИСЪК НА РЕЗЕРВНИТЕ ЧАСТИ	33
9. ДЕКЛАРАЦИЯ ЗА СЪОТВЕТСТВИЕ.....	36
10. ГАРАНЦИОНА КАРТА.....	37

Преди да използвате продукта за първи път, моля, не забравяйте да прочетете тези инструкции за експлоатация! Тук ще намерите информация как да използвате безопасно продукта и как да осигурите дълъг експлоатационен живот.

Трябва да обърнете внимание на всички инструкции за безопасност в тази инструкция!

Забележка: Илюстрациите и спецификациите в това ръководство може да варират според изискванията на страната и подлежат на промяна без предизвестие от производителя.

1. ИНСТРУКЦИИ ЗА БЕЗОПАСНОСТ

Правилна употреба на продукта

Това устройство е предназначено само за операции по надробяване на клони на открито. Не трябва да се пълни с камъни, стъкло, метал, кости, пластмаса или текстилни отпадъци.

Това устройство не е предназначено за професионална употреба а само за домакинства.

Всяка друга употреба не е разрешена! Всяка употреба не по предназначение или каквито и да е дейности по машината, които не са описани в тези инструкции за експлоатация, ще се считат за неотризирана употреба извън отговорността на производителя.

ОПИСАНИЕ НА СИМВОЛИТЕ ИЗПОЛЗВАНИ В ИНСТРУКЦИЯТА



ВНИМАНИЕ! Вид и източник на опасност! Този знак за опасност предупреждава за възможна повреда на устройството, заплата за околната среда или увреждане на имущество. Пренебрегване на бележката за опасност може да причини сериозни наранявания и представлява риск за живота.

Следните символи могат да бъдат поставени на машината:



- Прочетете инструкциите за употреба



- Носете защитни средства за очите



- Веднага извадете кабела от контакта ако забележите повреда по кабела.



- Защитете от влага



- Пазете хора и животни далеч от работната зона



- Опасност – въртящи се ножове – пазете ръцете и краката си далече от отворите докато машината работи.



- Преди да извършвате каквито и да е дейности по поддръжка, ремонт или смяна на аксесоари по машината я изключете от захранването.



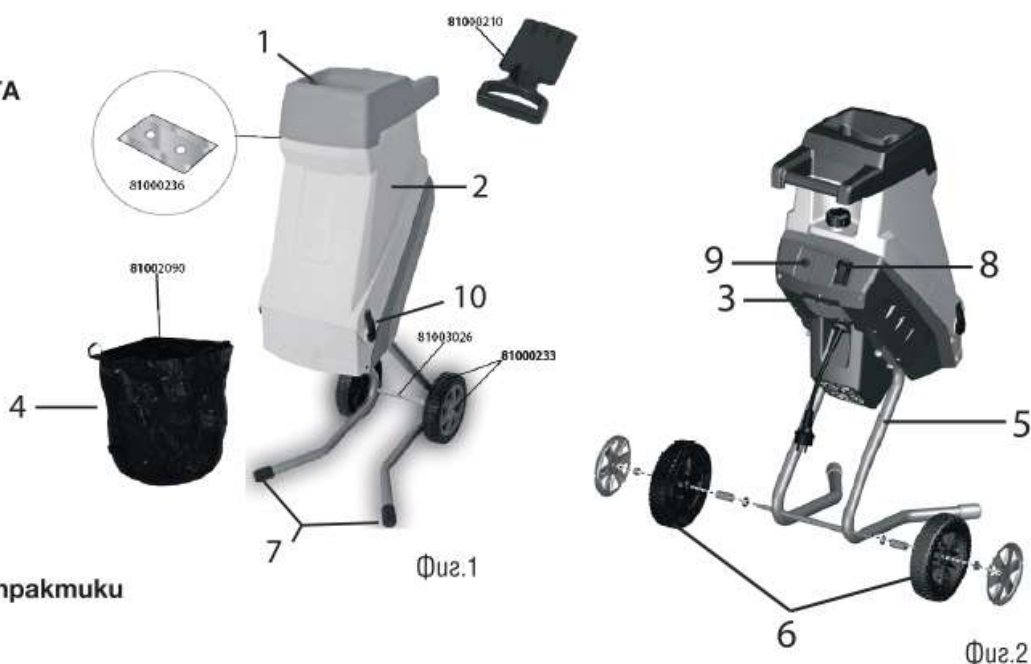
-Ниво на звукова мощност (LWA)



- Използваното електрическо и електронно оборудване не трябва да бъде изхвърляно заедно с битовите отпадъци

ЧАСТИ НА МАШИНАТА (фиг. 1 и фиг.2)

1. Захранващ бункер
2. Тяло на гробилката
3. Капак на мотора
4. Колекторна торба
5. Рамка
6. Колело
7. Крака
8. Ключ ON/OFF
9. Прекъсвач
10. Куки за торбата



Безопасни работни практики

Общо предупреждение!

Този уред не е предназначен за употреба от лица (включително деца) с намалени физически, сетивни или умствени способности или липса на опит и знания, освен ако не са под наблюдение от лице, отговорно за тяхната безопасност.

Внимавайте деца да не си играят с уреда.

Преди да започнете работа с машината се запознайте с ръководството за употреба.

- 1) Не позволявайте на деца да работят с машината;
- 2) Не работете с машината в близост до минувачи;
- 3) Носете защита за ушите и предпазни очила през цялото време, докато работите с машината;
- 4) Избягвайте да носите дрехи, които са широки или имат висящи шнурове или връзки;
- 5) Работете с машината само на открито (на достатъчно разстояние от стени или други фиксирани обекти) и на стабилна, равна повърхност;
- 6) Не работете с машината върху павирана или чакълена повърхност, където изхвърленият материал може да причини нараняване;
- 7) Преди да стартирате машината, проверете дали всички винтове, гайки, болтове и други крепежни елементи са правилно обезопасени и всички предпазители са поставени. Сменете повредени или нечетливи етикети;