



DAEWOO

POWER PRODUCTS

DLM4600SPL

LAWN MOWER / КОСАЧКА БЕНЗИНОВА САМОХОДНА



USER'S MANUAL

ОРИГИНАЛНА ИНСТРУКЦИЯ ЗА ЕКСПЛОАТАЦИЯ

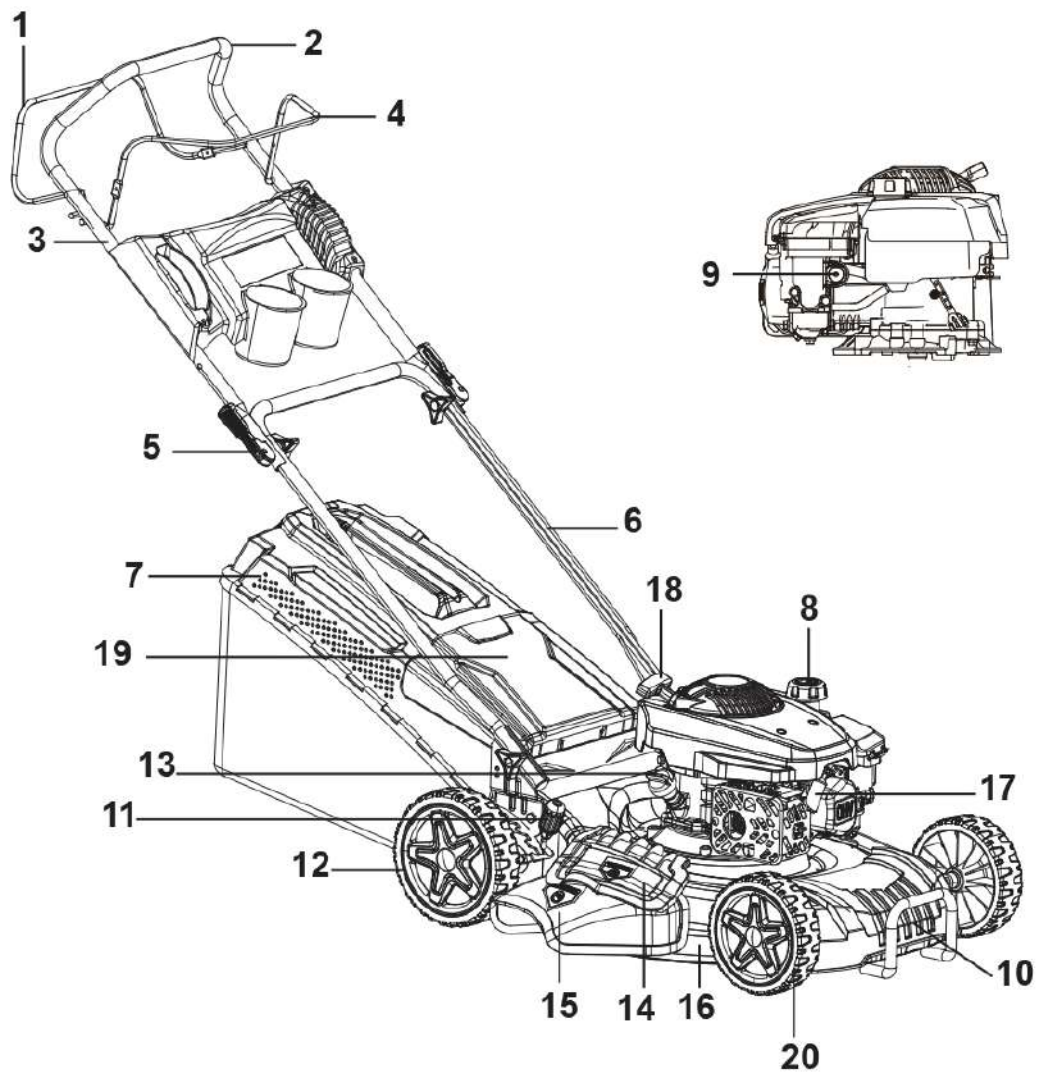
Manufactured under license of Daewoo International Corporation, Korea
Произведено по лиценз на Daewoo International Corporation, Korea

INDEX

1. DESCRIPTION OF PRODUCT PARTS	3
2. TECHNICAL SPECIFICATIONS	4
3. INTENDED USE	4
4. SAFETY INFORMATION	4
5. WARNING SYMBOLS ON THE MACHINE	5
6. SAFETY INSTRUCTIONS	6
7. ASSEMBLY	8
8. ADJUSTMENT	11
9. OPERATION	12
10. STORING AND MAINTENANCE	14
11. TROUBLESHOOTING	17

1. DESCRIPTION OF PRODUCT PARTS

- | | |
|--------------------------------------|-----------------------------|
| 1. Drive lever (clutch lever) | 11. Height adjusting handle |
| 2. Soft grip | 12. Rear wheel |
| 3. Upper handle | 13. Engine oil cap |
| 4. Start/stop lever | 14. Starter rope |
| 5. Fixing knob with square neck blot | 15. Side discharge chute |
| 6. Lower handle | 16. Deck |
| 7. Grass box | 17. Front wheel |
| 8. Fuel tank cap | 18. Starter rope guide |
| 9. Primer | |
| 10. Fuel pump | |



2. TECHNICAL SPECIFICATIONS

Model	DLM4300HP	DLM4300SP	DLM4600HP	DLM4600SPL
Drive type	Hand push	Self-propelled	Hand push	Self-propelled
Engine type	DV 130	DV130	DV150	DV150
Engine displacement	131 cm ³	131 cm ³	150 cm ³	150 cm ³
Engine power	2.4 kw	2.4kw	2.6kw	2.6kw
Engine speed	28 00rpm	2800rpm	2800rpm	2800rpm
Cutting width	410mm	410mm	460mm	460mm
Cutting height	25-75mm	25-75mm	25-75mm	25-75mm
Front/Rear wheel:	7/8inch	7/8inch	7/8inch	7/8inch
Grass bag capacity	46L	46L	55L	55L
Sound pressure level(LpAm)	72 dB(A)	72 dB(A)	74 dB(A)	74 dB(A)
Mass(kg)	96dB	96dB	96dB	96dB
Mass vibration	24kg	28.5kg	30.5kg	34kg
Sound power level (LWA)*	7.38m/s ² ,K=1.5			
Model	DLM5100SP	DLM5300SP	DLM5300SPL	
Drive type	Self-propelled	Self-propelled	Self-propelled	
Engine type	DV170	DV173	DV224	
Engine displacement	173 cm ³	173 cm ³	224 cm ³	
Engine power	3.0kW	3.3kW	4.4kW	
Engine speed	2800rpm	2800rpm	2800rpm	
Cutting width	510mm	530mm	530mm	
Cutting height	25-75mm	25-75mm	25-75mm	
Front/Rear wheel:	8/10inch	8/10inch	8/10inch	
Grass bag capacity	65L	65L	65L	
Sound pressure level(LpAm)	76 dB(A)	76 dB(A)	76 dB(A)	
Sound power level (LWA)*	98dB	98dB	98dB	
Mass(kg)	38.5kg	44kg	45.5kg	
Mass vibration	7.38m/s ² ,K=1.5			

3. INTENDED USE

This Petrol lawn mower has been designed for cutting lawn areas in private house and hobby gardens.

The machine is to be used only for its prescribed purpose . any other use is Deemed to be a case of misuse. The user/operator and not the Manufacturer will be liable for any damage or injuries of any kind caused as a result of this

Please note that our equipment has not been designed for use in commercial , trade or industrial applications . our warranty will be voided if the machine is used in commercial , trade or industrial businesses or for equivalent purposes.

This manual is valid to the moment of its printing. The producer reserves the right to make changes without notice. All graphics and schemes are illustrative and may be different from your machine.

4. SAFETY INFORMATION

IMPORTANT

Please read these instructions fully before assembling and operating. Description Of Symbols
 Symbols are used in this manual to attract your attention to possible risks. The safety symbols and the explications which accompany them must be perfectly understood. The warning themselves do not prevent the risks and cannot be a substitute for proper methods of avoiding accidents.

5. WARNING SYMBOLS ON THE MACHINE



WARNING- To reduce the risk of injury , user must read instruction manual.



This symbol, before a safety comment, indicates a precaution, a warning or a danger. Ignoring this warning can lead to an accident for yourself or for others. To limit the risk of injury, fire or electrocution always apply the recommendations indicated.



Keep bystanders away.



Beware of sharp blades –remove spark plug lead before maintenance.



Never refuel while the engine is running.



Risk of injury . do not open or remove safety shields while engine is running.



Wearing ear protection , eye protection when operating.



Hot surfaces will burn finger or palms.



Warning! The lawnmower exhaust gas contains toxic substances, Do not start or run engine indoors or in an enclosed area, even if windows and doors are open.



Conforms to relevant safety standards



Waste electrical products should not be disposed of with household waste. Please recycle where facilities exist. Check your local authority or retailer for recycling advice.

6. SAFETY INSTRUCTIONS

Training

1. Read the instructions carefully. Be familiar with the controls and the proper use of the equipment;
2. Never allow children or people unfamiliar with these instructions to use the lawnmower. Local regulations can restrict the age of the operator;
3. Never mow while people, especially children, or pets are nearby;
4. Keep in mind that the operator or user is responsible for accidents or hazards occurring to other people or their property.

Preparation

1. While mowing, always wear substantial footwear and long trousers. Do not operate the equipment when barefoot or wearing open sandals;
2. Thoroughly inspect the area where the equipment is to be used and remove all objects which can be thrown by the machine;
3. Warning - petrol is highly flammable.
 - Store fuel in containers specifically designed for this purpose;
 - Refuel outdoors only and do not smoke while refueling;
 - Add fuel before starting the engine. Never remove the cap of the fuel tank or add petrol while the engine is running or when the engine is hot;
 - If petrol is spilled, do not attempt to start the engine but move the machine away from the area of spillage and avoid creating any source of ignition until petrol vapour has dissipated;
 - Replace all fuel tank and container caps securely;
4. Replace faulty silencers;
5. Before using, always visually inspect to see that the blades, blade bolts and cutter assembly are not worn or damaged. Replace worn or damaged blades and bolts in sets to preserve balance;
6. On multi-bladed machines, take care as rotating one blade can cause other blades to rotate.

Operation

1. Do not operate the engine in a confined space where dangerous carbon monoxide fumes can collect;
2. Mow only in daylight or in good artificial light;
3. Avoid operating the equipment in wet grass, where feasible;
4. Always be sure of your footing on slopes;
5. Walk, never run;

6. For wheeled rotary machines, mow across the face of slopes, never up and down;
7. Exercise extreme caution when changing direction on slopes;
8. Do not mow excessively steep slopes;
9. Use extreme caution when reversing or pulling the lawnmower towards you;
10. Stop the blade(s) if the lawnmower has to be tilted for transportation when crossing surfaces other than grass, and when transporting the lawnmower to and from the area to be mowed;
11. Never operate the lawnmower with defective guards, or without safety devices, for example deflectors and/or grass catchers, in place;
12. Do not change the engine governor settings or over speed the engine;
13. Disengage all blade and drive clutches before starting the engine;
14. Start the engine or switch on the motor carefully according to instructions and with feet well away from the blade(s);
15. Do not tilt the lawnmower when starting the engine or switching on the motor, except if the lawnmower has to be tilted for starting. In this case, do not tilt it more than absolutely necessary and lift only the part which is away from the operator;
16. Do not start the engine when standing in front of the discharge chute;
17. Do not put hands or feet near or under rotating parts. Keep clear of the discharge opening at all times;
18. Never pick up or carry a lawnmower while the engine is running;
19. Stop the engine and disconnect the spark plug wire, make sure that all moving parts have come to a complete stop and, where a key is fitted remove the key:
 - Before clearing blockages or unclogging chute;
 - Before checking, cleaning or working on the lawnmower;
 - After striking a foreign object. Inspect the lawnmower for damage and make repairs before restarting and operating the lawnmower;
 - If lawnmower starts to vibrate abnormally (check immediately);
20. Stop the engine and disconnect the spark plug wire, make sure that all moving parts have come to a complete stop and, where a key is fitted remove the key:
 - Whenever you leave the lawnmower;
 - Before refueling;
21. Reduce the throttle setting during engine shut down and, if the engine is provided with a shut-off valve, turn the fuel off at the conclusion of mowing;

Maintenance and storage

1. Keep all nuts, bolts and screws tight to be sure the equipment is in safe working condition;
2. Never store the equipment with petrol in the tank inside a building where fumes can reach an open flame or spark;
3. Allow the engine to cool before storing in any enclosure;
4. To reduce the fire hazard, keep the engine, silencer, battery compartment and petrol storage area free of grass, leaves, or excessive grease;
5. Check the grass catcher frequently for wear or deterioration;
6. Replace worn or damaged parts for safety;
7. If the fuel tank has to be drained, this should be done outdoors.

7. ASSEMBLY

Assembling the handle

1. Fasten the lower handle to the device by using two bolts and two small knobs on each side as shown in Fig 2.

(46cm cutting width has one knob on each side)



Fig 2

2. Unfold the upper handle and fix it to lower handle by using the big knobs and the bolts on each side as shown in Fig 3



Fig 3

NOTE: Make sure the rope guide is on the right handle, when you stand behind the mower.

Fasten the connection cord with clip

As shown in Fig 4 Fix the connection cord to the lower handle With the cord clip .(supplied)



Fig 4

Assembling the grass bag onto the mower
As shown in Fig 6

1. Lift the rear discharge cover with one hand and hook in the grass bag.
2. Release the rear discharge cover to secure the grass bag in position.



Fig 6

Assembling the mulching plug (Fig 8)

1. Remove the grass bag
2. Push the plastic mulching plug (Fig 8) into the discharge chute (Fig 9) until it is locked in place. (Please pay attention to the lock when assembling.)
3. Then release the flap (Fig 10), it will close back to cover the mulching plug.



Fig 8



Fig 9



Fig 10

Assembling the side discharge chute As shown in Fig 11

NOTE: When use side discharge function. First need remove the grass Bag and plug the mulching plug.

1. Lift the side discharge cover with One hand and hook in the side dischargeDuct with the other hand.
2. Release the side discharge cover tosecure the duct in position.



Fig 11

Assembling the cup holder (optional)
As shown in Fig 13

1. Take out the plastic panel (1) from the box.
2. Align the mounting holes on the plastic panel with the mounting holes on the upper-handle (2).
3. Fix the plastic panel with the bolts and nuts (3) and (4) provided.



Fig 13

Checking the engine oil level And filling with engine oil As shown in Fig 15-16

CAUTION! The following procedures and adjustments must be performed before the engine is started. Do not attempt to make any of these adjustments while the engine is running.



Fig 14

CAUTION! To prevent engine damage the engine is shipped without oil or petrol. The engine must be filled with the correct grade of oil and petrol before starting the engine.



Fig 15

NOTE! Running the engine with a low oil level will cause engine damage. It is recommend that high detergent, premium quality 4-stroke engine oil used.

CAUTION! Always use high quality detergent oil classified SAE30 oil (or equivalent e. g SAE 10W/30, often termed as 4 Stroke lawn mower oil. Never use additives with recommended oil. To prolong the life of your engine it is important that the oil is changed after the first 20 hours of use.

NOTE: To check the engine oil level, stop engine and place the mower on a level surface.

- 1.Remove the oil filler dipstick and wipe oil from it with a clean cloth.
2. Insert the dipstick into the oil filler neck,3. Then remove the dipstick and check the oillevel. the oil level must be between theMin and Max marks on the dipstick. If nearthe lower level, fill to upper lever with the recommended oil((or equivalent t e. g SAE 10W/30). Do not overfill.

Wipe away any spilt oil.)

4. Align the ribs of the cap with the groove of the filler neck. then rotate 1/4 turn to secure it.

Filling with engine fuel As shown in Fig 15

CAUTION! Always use clean, fresh unleaded petrol. Purchase fuel in quantities that can be used within 30 days. Never mix oil with petrol.

CAUTION! Do not fill into the base of neck to allow for fuel expansion. Do not overfill the fuel tank.

CAUTION! WARNING! Petrol is highly flammable and extreme precaution must be taken when handling or working with it. Keep out of reach of children.

CAUTION! To prevent engine damage the engine is shipped without oil or petrol. The engine must be filled with the correct grade of oil and petrol before starting the engine.

WARNING! Refuel in a well-ventilated area with the engine stopped. Do not smoke or allow flame or sparks in the area where the engine is refueled or where petrol is stored. Avoid repeated or prolonged contact with skin or inhalation of vapour.

1. Clean the area around the petrol filler cap before removing the cap. Remove the warning tag, check the fuel level.
2. Refill the tank if the fuel level is low.
3. Refuel carefully to avoid overfilling or spilling fuel. There should be no fuel in the filler neck.
4. Clean up any overflow or splashes of petrol before starting the engine.
5. Tighten the filler cap after filling, fingertight on.



8. ADJUSTMENT

Setting the cutting height As shown in Fig 17



Fig17

CAUTION! Adjust the cutting height only when the engine is switch off the spark plug Boot has been pulled.

The cutting height is centrally adjusted with Cutting height adjusting handle. Different cutting Heights can be selected.

Pull the adjusting handle out and select the desired cutting height. The handle snaps onto the desired position.

From position 1 to position 7. The cutting height range from 25mm to 75 mm.

Setting required function

NOTE: This lawn mower has four functions. These functions can be converted by changing accessory setting. Please see the following chart for detail setting.

To convert mower	mulching plug	Grass bag	side discharge duct
For rear discharging	x	x	x
For rear bagging	x	√	x
For mulching	√	x	x
For side discharging	√	x	√

“√”: installed “x”:removed

9. OPERATION

Start and stop the engine

WARNING: the blade begins to rotate as soon as the engine is started.

NOTE: do not operate the machine in enclosed or poorly ventilated areas as the exhaust gas contains toxic substance. Keep hands, feet, hair and clothing away from.

All the moving parts of the machine, the exhaust and other parts of the machine will become hot during use.

Make sure that the blade is securely fastened before starting the engine.

NOTE: to start the engine make sure that the spark plug boot is located on the plug and the machine is filled with sufficient oil and petrol.

To start the engine as shown in Fig 18-19 1.
When starting a cold engine, press down the primer fully 3 times.



Fig 18

WARNING! Too many presses on primer may cause engine flooded. When starting a warm engine, the primer does not need to be used. If the engine stops due to a lack of petrol, refill and press down the primer 3~5 times.

2. Stand behind the mower. Pull the engine start/stoper lever toward upper handle with one hand. And place the other hand on the starter handle.

3. Pull the starter handle until you feel a resistance and then start the engine with a sharp pull.

NOTE: If the engine fails to start after three pulls, repeat the process.

4. Once the engine is running, put the starter rope into the rope guide.

To stop the engine as shown in Fig 20 release the engine start/stop lever, it will return to its initial position, the engine will automatically switch off.



Fig 19



Fig 20

To clean a flooded engine

NOTE: if the engine won't start after you have Operated the starter several times, the engine may be flood with excess fuel. Use following procedure to clear and start a flooded engine.

1. Release the engine start/stop lever to stop engine.
2. Remove the spark plug, dry it, and then reinstall it.

NOTE: Install the spark plug carefully by hand, to avoid cross-threading. After the plug is seated tighten 1/8 to 1/4 turn with socket spanner of spark plug to compress the washer.

1. Pull the engine start/stop lever toward upper handle.
2. Operate the starter as described above

Using the Self-propelled function As shown in Fig 21
This unit equipped with self-propelled system.
If you press the drive lever (clutch lever), the clutch for the drive will be closed and the lawnmower will start to move with the engine running .
To stop the moving lawnmower, just simply release the drive lever in good time.



Fig 21

Mowing

WARNING: Always observe the strictest safety procedures when using the lawnmower. Carefully read the safety instructions of this manual before using the lawnmower.

WARNING: Never open the ejector flap when the grass bag has been detached (to be emptied) and the engine is still running. The rotating blade can cause serious injuries!

1. Select your required setting.
2. Start the engine and allow it run, and set it to required speed. See “to start the engine”.
3. Keep a firm grip on the upper handle with engine stop/start lever and drive lever (clutch lever) closed and walk along with it self-propelling to start mowing.

Working advices

1. Walk, never run with the mower, be very careful when mowing uneven or rough ground.
2. Mow across slopes, never up and down.
3. Be careful when changing the direction of the mower on a slope.
4. Do not mow excessively steep slopes.
5. The best result will be achieved if the grass is dry. Wet grass will tend to clog the blade and the grass collection system.
6. Grass grows at different rates at different time of the year. Never use the lowest cutting height for the first cut of the season or in drought conditions.
7. Only about one thirds of the grass height should be cut.
8. When mowing with mulching, to ensure that the cut grass can be scattered efficiently, do not cut high or wet grass. When you have been cutting for several minutes, please stop the mower, and

clean the blade and the deck.

9. Do not remove grass debris in the mower casing or on the blade by hand or with your feet. Instead use suitable tools such as a brush or broom.

Emptying the grass bag

As soon as grass clippings start to trail the lawn mower, it is time to empty the grass bag.

NOTE: Before taking off the grass bag, switch off the engine and wait until the blade has come to a stop.

1. To take off the grass bag, use one hand to lift up ejector flap and the other to grab onto the carry handle. The ejector flap automatically falls down after removing the grass bag and closes off the rear chute opening.
2. Empty the grass debris in the grass bag, and refit grass Bag.

NOTE: If any grass residue is caught in the discharge chute, clean it using a brush. Do not remove grass debris in the mower casing or on the blade by hand or with your feet. Instead use suitable tools such as a brush or broom. To ensure that the cut grass can be collected into grass Bag, the discharge opening and inside the mower casing must be cleared of any blockage.

10. STORING AND MAINTENANCE

WARNING : Before performing any maintenance or cleaning work, switch Off the engine and wait until the blade has come to a stop.

Cleaning General cleaning

The lawn mower should be cleaned thoroughly every time after it has been used. Always clean your lawnmower immediately after use. Do not allow grass cuttings and other debris to become dry and hard on any of the mower surfaces. Dried grass remnants and dirt may impair the mowing operation. Check that the grass chute is free of any residual grass. Remove any such residue. Check the underside of the lawn mower and the blade mount. for this purpose ,tilt the Lawn mower onto its left side (opposite the oil filler neck)

NOTE: Before placing the lawn mower on its side , fully drain the fuel tank using a petrol extraction pump. Do not tilt the lawn mower by more than 90 degrees.

Maintenance of the spark plug.

As shown in Fig 22

1. Once the engine has cooled, pull off the spark plug with a twist.
2. Remove the spark plug using a spark plug wrench
3. Clean the spark plug with a wire brush (not supplied)
4. Using a feeler gauge set the gap to 0.75mm
5. Install the spark plug carefully by hand to avoid cross-threading.
6. After the spark plug is seated tighten with the spanner to compress the washer.

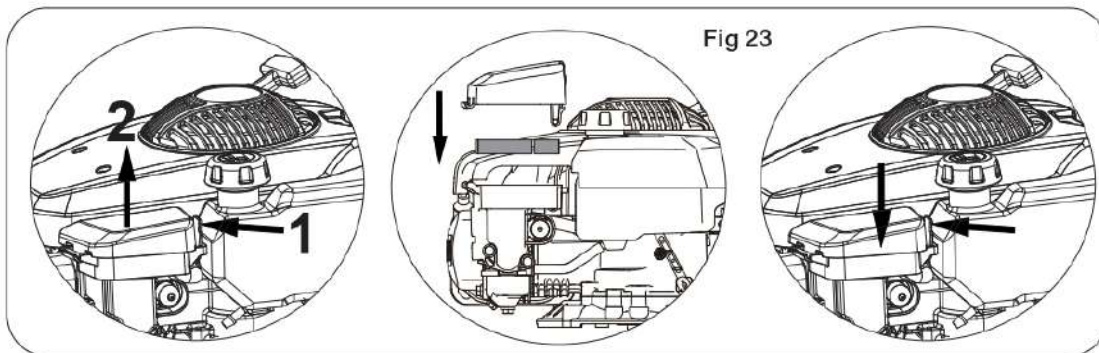
How to Service the Air Filter As shown in Fig 23 Soiled air filters reduce the engine output by supply too little air to the carburetor. if the air contains a lot of dust , the air filter should be checked more frequently.



WARNING! Never run the engine without the air filter element installed.

Replacing the Air Filter(Fig.23)

1. Unlock the latch (1) and pull upward to open the air filter compartment (2).
2. Replace the air filter.
3. Press down and lock the latch on the air filter compartment.



Note: Do not use pressurized air or solvents to clean the filter. Pressurized air can damage the filter and solvents will dissolve the filter.

Changing the engine oil Tilt the lawnmower towards the oil filler, have a container ready to catch the oil and remove the dipstick. Once the oil has been emptied, replace the dipstick and wipe clean any spillages. Refill with 400ml SAE30 oil or equivalent, i. e. SAE 5W/30, SAE10W/30.

Refill with 500ml SAE30 oil or equivalent i. e SAE5W/30, SAE10W/30. When the dipstick is rested on the filler pipe (i. e . not turn in pace), the oil level must be between the min and max marks on the dipstick.

See «Checking the engine oil level and filling with engine oil» Start the engine and allow it to run briefly.

Stop the engine, wait one minute and check the oil level. Top up if necessary. Note! see more in engine manual.

Replacing the blade

For safety reasons you should only ever have your blade sharpened, balanced and mounted by an authorised service workshop. For optimum results it is recommended that the blade should be inspected once a year.

WARNING! Before you remove the grass collection bag, stop the engine and wait until the blade stops completely.

WARNING! You will need garden gloves (not provided) and a spanner wrench(not provided) to remove the blade.

NOTE! Don't invert the mower. Tip it slightly towards the oil filler pipe and reach under the deck.

WARNING! Always handle the blade with care, sharp edges could cause injury **USE GLOVES.** Renew your metal blade after 50Hrs mowing or 2yrs whichever is sooner regardless of condition.

WARNING! If the blade is cracked or damaged replace it with a new one

WARNING! Don't hold the blade by hand directly.

NOTE! Maintain the sharpness of the blade when cutting grass. If the blade has worn excessively and become pitted and blunt, it should be replaced or sharpened. The sharpness of the blade will affect the performance of the lawnmower.

For safety reasons we recommend that the blade only be changed by someone qualified and authorized to do so.

Hold the blade and unscrew the blade bolt counterclockwise using a spanner wrench. Remove the washer and the blade.

Fit a new blade or re-sharpen the blade, locate the blade on the two studs on the blade flan and then replace the washer and bolts. Make sure the blade is correctly located, and then firmly tighten the bolt. Do not over tighten. The up turn of the blade must project into the motor compartment.

EN

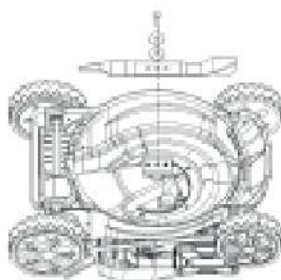


Fig24

Storing the Lawnmower for Short Periods

The lawnmower can be stored for short periods of time (less than 15 days) without performing any storage maintenance. Before placing the lawnmower into storage always carry out the following:

1. Allow the engine to fully cool.
2. Ensure the grass bag is empty.
3. Clean all debris from under the mower deck.
4. Store the lawnmower on flat and level surface with the mower upright.
5. Store in a safe place which is not accessible by children or people who are not familiar with operation.

Storing the Lawnmower for Extended Periods

If the lawnmower is to be placed into storage for more than 15 days, storage maintenance must be performed on the lawnmower. If the following steps are not carried out, when you next operate the lawnmower it may not start correctly and may need to be serviced.

CAUTION! Do not empty the petrol tank in enclosed areas, near fire or when smoking. Petrol fumes can cause explosions and fire

1. Empty the petrol tank with a petrol suction pump if available.
2. Start the engine and let it run until any remaining petrol has been used up.
3. Change the oil at the end of every season. To do so, remove the used engine oil.
4. Clean the cooling fins of the cylinder and the housing.
5. Be sure to clean the entire machine to protect the paint.
6. Store the machine in a well-ventilated place.

Maintenance Schedule

Performing routine maintenance correctly on your lawnmower will ensure you get years of trouble free use.

Please keep this manual safe for future reference.

It is recommended that the following maintenance schedule is adhered to. This will ensure the lawn-mower operated correctly and is safe to use.

	12 hours of use	24 hours of use	36 hours of use
Air filter	clean	Clean	place
Spark plug	check	clean	place
Engine oil	Check	Replace	check

The Engine oil should be changed after the first 8 hours.

Transport

Empty the petrol tank

Always let the engine run until it has used up the remainder of petrol in the tank. Empty the engine oil from the warm engine.

Remove the spark plug boot from the spark plug. Clean the cooling fins of the cylinder and the housing. Use the original packaging to ship whenever possible.

11. TROUBLESHOOTING

WARNING: Before performing any maintenance or cleaning work, switch off the engine and wait until the blade has come to a stop.

Caution!

Improper repairs can result in the product functioning unsafely. This endangers yourself and your environment.

Faults which cannot be rectified with the aid of following table may be rectified by a specialist company only (customer service center).

Please be aware that any improper repairs will also invalidate the warranty and additional costs may be incurred.

Use only genuine spare parts. Only these spare parts are designed and suitable for the product. The use of other spare parts not only voids the warranty, you can also endanger yourself and your environment.

Fault/malfunction	Cause	Remedy
Loud while running , machine vibrates heavily	Screws are loose	Check screws
	Blade fasteners are loose	Check blade fasteners
	Blade is unbalanced	Replace blade
Engine does not start	Start/stop lever not pressed	Press start/stop lever
	Spark plug is defective	Replace spark plug
	Does the cutting blade is worn or damaged ?	Replace it by the customer service center
	Fuel tank is empty	Re fill with fuel
	Engine may be flooded	Remove plug and dry
Engine runs unsteadily	Air filter is soiled	Clean the air filter
	Spark plug is soiled	Clean the spark plug
Uneven mowing results	Blade is blunt	Sharpen the blade
	Cutting height is too low	Set correct height
Grass bag is not filled sufficiently	Blade is worn	Replace the blade
	Grass bag is clogged	Empty the grass bag
	Cutting height is right?	Correct the cutting height
	The lawn / grass is wet?	Allow the lawn to dry
	Does the discharge channel/ housing blocked ?	Clean the discharge channel/ housing
	Does underside of the mower deck have been clogged?	Clean the underside of the mower deck

СЪДЪРЖАНИЕ

1. ОПИСАНИЕ НА ЧАСТИТЕ НА МАШИНАТА	20
2. ТЕХНИЧЕСКИ СПЕЦИФИКАЦИИ	21
3. ПРЕДНАЗНАЧЕНИЕ	22
4. ИНФОРМАЦИЯ ЗА БЕЗОПАСНОСТ	22
5. СИМВОЛИ ЗА БЕЗОПАСНОСТ ВЪРХУ МАШИНАТА	22
6. ИНСТРУКЦИИ ЗА БЕЗОПАСНОСТ	23
7. СГЛОБЯВАНЕ.....	25
8. НАСТРОЙКИ	27
9. РАБОТА.....	28
10. СЪХРАНЕНИЕ И ПОДДРЪЖКА	30
11. ЕВЕНТУАЛНИ ПРОБЛЕМИ И ТЯХНОТО РЕШЕНИЕ.....	33
12. СХЕМА И СПИСЪК НА РЕЗЕРВНИТЕ ЧАСТИ	34
13. ДЕКЛАРАЦИЯ ЗА СЪОТВЕТСТВИЕ	41

BG

1. ОПИСАНИЕ НА ЧАСТИТЕ НА МАШИНАТА

1. Лост за задвижване на ходовата част (самоход)
2. Органайзер
3. Горна дръжка
4. Старт/стоп лост
5. Болтове за фиксиране на ръкохватките
6. Долна дръжка
7. Колектор за тревата
8. Капачка на резервоара за гориво
9. Помпа за подкачване на горивото

11. Лост за настройване височината на косене
12. Задно колело
13. Капачка за маслото
14. Страничен капак за изхвърляне на трева
15. Страничен отвор за изхвърляне на трева
16. Платформа
17. Гнездо на запалителната свещ
18. Стартерно въже
19. Заден капак за изхвърляне на трева
20. Предно колело

